

FLOW BACK MANIFOLDS



450 Series



Part#	Desc.	Price
451BEC-3FB4-C	1 Valve 1 1/2" In 1" Out	\$344.50
452BEC-3FB4-C	2 Valves 1 1/2" In 1" Out	710.65
453BEC-3FB4-C	3 Valves 1 1/2" In 1" Out	1076.69
455BEC-3FB4-C	4 Valves 1 1/2" In 1" Out	1426.90
455BEC-3FB4-C	5 Valves 1 1/2" In 1" Out	1777.05

Features:

- 22 RPM, 0.7 second shutoff fully open to close.
- Flow rate is 32 GPM with 5 PSI pressure drop per valve.
- Maximum pressure rating of 200 PSI

Wiring Valves to Raven Systems

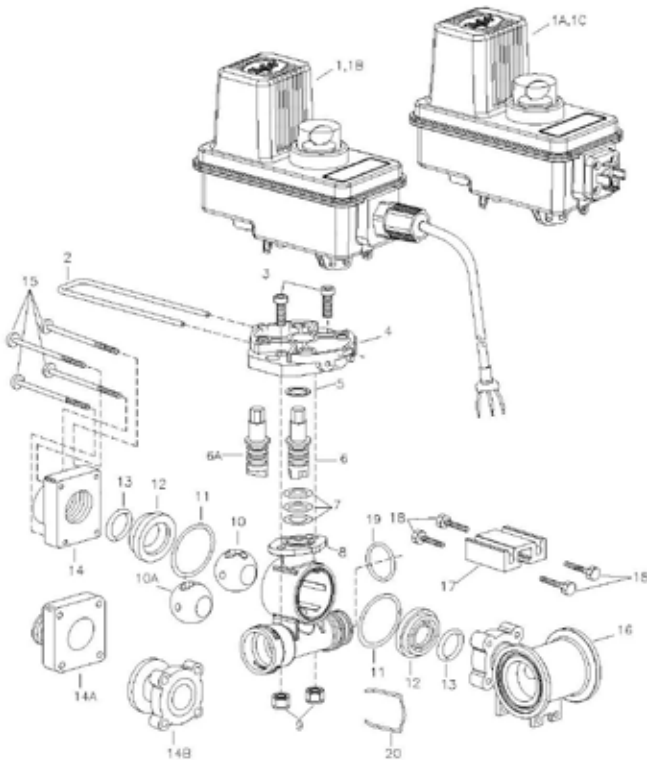
Valve Side	Harness Side
Valve White Signal Wire	Raven Black(Bm 1) Brown(Bm2) Blue(Bm 3)
Valve Black Ground (negative)	Raven White (Raven Ground color code is white)
Valve Red(s) Constant Positive 12 Volt	Raven Solid Orange contained in rear harness in some newer cabling. If not, must run a single hot wire joined to all red wires from valves

List Price
Please Apply Discount



Boom & Regulator Valves

REPLACEMENT PARTS



1	50515-22CP03	BEC MOTOR, 22-RPM(0.7-SEC), 0.3-METER CABLE, POSITIVELY SWITCHED	\$258.77
	50515-22CP05	BEC MOTOR, 22-RPM(0.7-SEC), 0.5-METER CABLE, POSITIVELY SWITCHED	\$258.77
	50515-22CP15	BEC MOTOR, 22-RPM(0.7-SEC), 1.5-METER CABLE, POSITIVELY SWITCHED	\$268.28
	50515-22CP60	BEC MOTOR, 22-RPM(0.7-SEC), 0.5-METER CABLE, POSITIVELY SWITCHED	\$293.90
1A	50515-22DP	BEC MOTOR, 22-RPM(0.7-SEC), DIN CONNECTION, POSITIVELY SWITCHED	\$258.77
	50533-22C03	BEC MOTOR, 22-RPM(0.7-SEC), 0.3-METER CABLE	\$258.77
1B	50533-22C05	BEC MOTOR, 22-RPM(0.7-SEC), 0.5-METER CABLE	\$258.77
	50533-22C15	BEC MOTOR, 22-RPM(0.7-SEC), 1.5-METER CABLE	\$268.28
	50533-22C60	BEC MOTOR, 22-RPM(0.7-SEC), 6.0-METER CABLE	\$293.90
1C	50533-22D	BEC MOTOR, 22-RPM(0.7-SEC), DIN CONNECTION	\$258.77
2	CP50517-SSPV	RETAINING CLIP, 304 STAINLESS STEEL	\$2.88
3	CP26197-7/8-SS	SOCKET HEAD CAP SCREW, 1/4"-20 X 7/8" STAINLESS STEEL (2REQ'D)	\$2.25
4	CP50514-PP	MOTOR ADAPTER, POLYPROPYLENE (BLACK)	\$3.88
5	*CP20125-TEF	THRUST WASHER, TEFLON	\$1.51
6	CP56613-SS	STEM, 303 STAINLESS STEEL (FOR POLYPROPYLENE BALL)	\$46.60
6A	CP56615-SS	STEM, 303 STAINLESS STEEL (FOR STAINLESS STEEL BALL)	\$46.60
7	*CP7717-MX12X2.5-VI	O-RING, VITON (3 REQ'D)	\$1.81
8	CP55223-NYB	FLOW BACK BODY, NYLON (BLACK)	
9	CP38435-1/4-SSNY	ELASTIC LOCKNUT, 1/4"-20, STAINLESS STEEL (2 REQ'D)	\$2.96
10	CP20106-2-PP	FLOW BACK BALL, POLYPROPYLENE (WHITE)	
10A	CP19926-2-SS	FLOW BACK BALL, 303 STAINLESS STEEL	\$62.68
11	CP20564-VI	GASKET, VITON (2 REQ'D)	\$3.45
12	CP20103-TEF	SEAL, TEFLON (2 REQ'D)	\$7.26
13	*CP20564-VI	GASKET, VITON (2 REQ'D)	\$3.45
14	*CP20103-TEF	SEAL, TEFLON (2 REQ'D)	\$7.26
15	*CP7717-2-213-VI	O-RING, VITON (2 REQ'D)	\$13.21
14	CP20104-3/4-NYB	END CAP, NYLON (BLACK) (3/4 NPT THREAD)	\$19.93
	CP20104-1-NYB	END CAP, NYLON (BLACK) (1" NPT THREAD)	\$19.93
14A	CP45514-NYB	END CAP, NYLON (BLACK) (QUICK CONNECT)	\$19.93
14B	CP45253-NYB	END CAP, NYLON (BLACK) (50-SERIES FLANGE)	\$19.93
15	CP45252-2-3/4-SSPV	SCREW, 1/4"-12 X 2-3/4" PAN HEAD, STAINLESS STEEL (4 REQ'D)	\$2.34
16	CP55224-PP	#75 NARROW TEE BODY, POLYPROPYLENE (BLACK)	\$19.52
17	CP45216-AL	MOUNTING RAIL, ALUMINUM	\$5.22
18	CP45259-SS	SCREW, M6 X 1 X 16MM HEX, STAINLESS STEEL (4 REQ'D)	\$9.90
19	CP7717-3-912-VI	O-RING, VITON	\$5.41
20	CP37166-1-302SS	QUICK CONNECT RETAINING CLIP, 302 STAINLESS STEEL	\$2.32
	56609-3FB-	VALVE BODY SUB-ASSY, SPECIFY SIZE & BALL MATERIAL	\$219.23
AB344AE-KIT SPARE PARTS KIT (INCLUDES ALL ITEMS MARKED WITH *)			\$54.41