

MISC. SPRAY GUNS



50102 \$7.92
(old#2207)



50140 \$13.49
(old#2285)



50120 \$16.26
(old#2501)



50107 \$14.56
(old#2235Y)



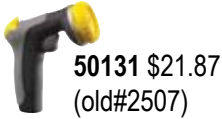
50502 \$21.82
(old#2286)



50170 \$15.53
(old#2286)



50503 \$42.77
(old#2520)



50131 \$21.87
(old#2507)



50111 \$18.51
(old#2508)



50500 \$14.27
(old#2284)



50166 \$12.41
(old#N21C)



50161 \$5.96
(old#N26C)

NELSON TURF

Quality. Service. Guaranteed!



FIRE HOSE NOZZLES
with 1" or 11/2" Female
Pipe Threads

FHZN100 (1") \$68.25

FHZN112 (11/2") \$20.00

1 1/2 is ECONOMY



HUDSON

**Hudson High Pressure
Spray Gun**
w/ #10 Tip Standard
Part# JD-9

List Price \$262.22



Poly Flooding Nozzles
For Lawn Applications
38633 or 38644 \$36.81



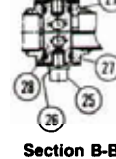
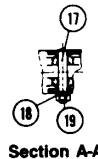
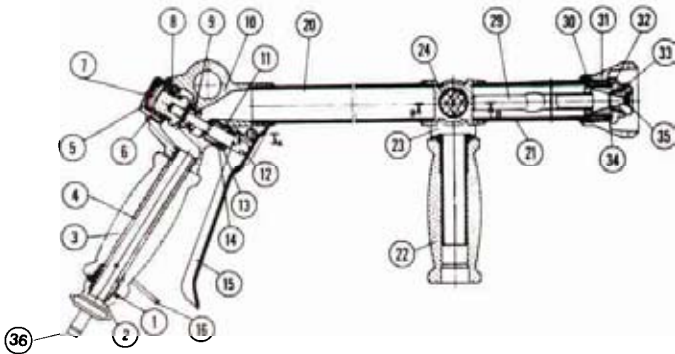
Root Feeder Attachment
#38919 \$ 517.72

Gun Repair Kit with Teflon Seats #38511-101TV \$36.94

**Hypro
Tree Gun**



HYPRO



3381-0010 17", 1200psi, 25gpm,
1/2"mpt\$207.03

3381-0011 21", 1200psi, 30gpm,
1/2"mpt\$287.37

Note: When ordering parts, give QUANTITY, PART NUMBER, DESCRIPTION and COMPLETE ACCESSORY NUMBER. Reference numbers are used ONLY to identify parts in the drawing and are NOT to be used as order numbers.

REF. NO.	QTY. REQ'D.	PART NUMBER	DESCRIPTION	REF. NO.	QTY. REQ'D.	PART NUMBER	DESCRIPTION
1	1	\$2.49 9920-232	Washer	21	1	9920-412	Front Barrel Model-0011
2	1	\$13.31 9920-230	Inlet Port	22	1	\$13.60 9920-192	Front Grip
3	1	\$13.03 9920-193	Hand Grip	23	1	\$38.52 9920-247	Bracket
4	1	9920-229	Tube	24	1	9920-235	Regulator Body Model-0010
5	1	\$16.43 9920-231	Plug	24	1	9920-411	Regulator Body Model-0011
6	1	O-ring		25	2	\$1.08 9920-5931	Bolt
7	1	\$6.17 9920-233	Spring	26	2	\$1.02 9920-1751	Washer
8	1	\$6.51 9920-71903.1	Poppet	27	2	O-ring	
9	1	Seal		28	1	\$24.93 9920-237	Regulator
10	1	9920-245B	Body	29	1	9920-238	Inner Barrel Model -0010
11	1	O-ring		29	1	9920-410	Inner Barrel Model -0011
12	1	\$9.97 9920-239	Plunger	30	1	9920-373	Outlet Port Model -0010
13	1	O-ring		30	1	9920-409	Outlet Port Model-0011
14	1	\$11.10 9920-241	Guide	31	1	\$7.02 9920-183	Shroud Model -0010
15	1	\$20.68 9920-246	Trigger	31	1	\$10.88 9920-408	Shroud Model -0011
16	1	\$9.91 9920-245C	Locking Clip	32	1	\$20.39 9920-158	Nozzle Retainer Model-0010
17	1	\$6.23 9920-194	Pin	32	1	9920-407	Nozzle Retainer Model-0011
18	1	\$1.02 9920-1751	Washer	33	1	O-ring	
19	1	\$2.95 9920-5587-68	Nut	34	1	O-ring	
20	1	9920-243	Rear Barrel Model -0010	35	1	\$24.36 3385	Nozzles 3385-2300, -3000, -3500, -4000, -4500, -5000, -5500, -6000, -7000
20	1	9920-413	Rear Barrel Model-0011				Barb, wing nut, gasket and o-ring #1750-0073.
21	1	9920-244	Front Barrel Model-0010	36	1	9910-10130	

* Repair Kit No. 9920-KIT10/11 consists of the following:
(1) Ref. 6 O-ring 9920-3100, (1) Ref. 8 Poppet 9920-71903.1,
(1) Ref. 9 Seat 9920-129, (1) Ref. 11 O-ring 9920-2050,
(1) Ref. 13 O-ring 9920-109, (2) Ref. 27 O-rings 9920-119
(1) Ref. 33 O-ring 9920-115, and (1) Ref. 34 O-ring 9920-124.

**List Price
Please Apply Discount**

HYPRO

TURBO Gun



3381-0013 7", 700psi, 19gpm,
1/2"mpt\$180.25