

# FILLRITE

# Ag Chemical Pumps & Meters

**Model 39 without Counter & 39C with counter**

128 oz. Per Stroke  
(1 Gal.)

**Model 39-\$ 498.00**

**Model 39C\*-\$ 533.00**

**BASIC PUMP WITH:**

- Quart Measurement (32 oz.)
- Gallon Measurement (128 oz.)
- Volumetric Accuracy
- 3/4" x 10' Clear EVA Hose
- 1" x 10' Clear EVA Hose
- Ball Valve & Anti-Drip Spout
- 2" NPS Bung Adapter (1" Inlet)
- Telescoping Suction Pipe
- Counter \*
- F1312 Gasket for use with Fill-Guard® Fittings



39  
39C

35  
35C

**Model**

**35 without Counter & 35C with counter**

32 oz. Per Stroke  
(1 Qt.)

**Model 35-\$ 295.00**

**Model 35C\*-\$329.00**

**BASIC PUMP WITH:**

- Volumetric Accuracy
- 3/4" x 10' Clear EVA Hose
- Ball Valve & Anti-Drip Spout
- 2" NPS Bung Adapter (1" Inlet)
- Telescoping Suction Pipe
- Counter \*
- F1312 Gasket for use with Fill-Guard® Fittings



**Model 420**

Max GPM - 13

**& 421**

**Price Model 420 \$978.00**

**Model 420 Includes:**

- Santoprene® Diaphragm
- 1" x 12' EPDM Hose
- Ball-Valve Nozzle & Nozzle Boot
- Telescoping Suction Pipe
- 20' Battery Cable
- 825 Digital Meter
- 2" NPT Bung Adapter



**Model 421 Includes 825 Digital meter \$ 1258.00**

**Model SS445 for most chemicals**

**Model SS445X700 For Lumax / Callisto**



**Recirculating Chemical Pump**

**Model SS445 or SS445X700**

Standard with 9" GEM Mount, Suction Pipe, 825 Meter Hose and Valve

12 Volt

List Price \$ 1285.00



**Model SS417**



Includes:  
2" MPT & 2" Buttress Adapters  
Suction Pipe, Ball Valve, Hose  
and Battery Cable

12 VOLT



List Price \$ 887.00

## FUEL PUMPS / METERS

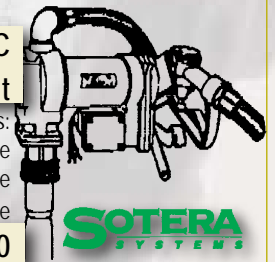
**Model 1210C**

12 Volt

Includes:

- Hose & Nozzle
- Telescoping suction pipe
- 15' Battery Cable

List Price \$618.00



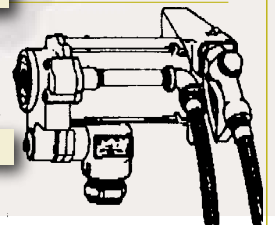
**Model FR700 110 Volt**



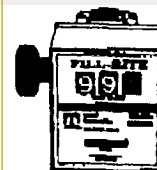
Includes:

- Manual Nozzle
- 3/4" x 12' Hose
- 1/3HP - 110-60Hz Motor

List Price \$872.00



**Model 807CMK 807 CMK Series Meter Kit**  
List Price \$416.00

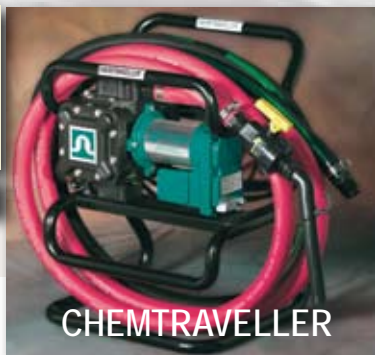


**Model 435**  
12 Volt  
Max GPM 13

List \$1579.00

**BASIC PUMP WITH:**

- Santoprene® Diaphragm
- 1" x 14' EPDM Discharge Hose
- 1" x 9' EPDM Suction Hose
- Ball-Valve Nozzle
- 12 Volt DC
- 110 Volt AC Electric
- 20' Battery Cable and Clips
- 825 Digital Meter
- Low Profile Tubular Frame
- High Profile Tubular Frame
- Wheel Kit



**CHEMTRAVELLER**

**Model 465**

Max GPM 16

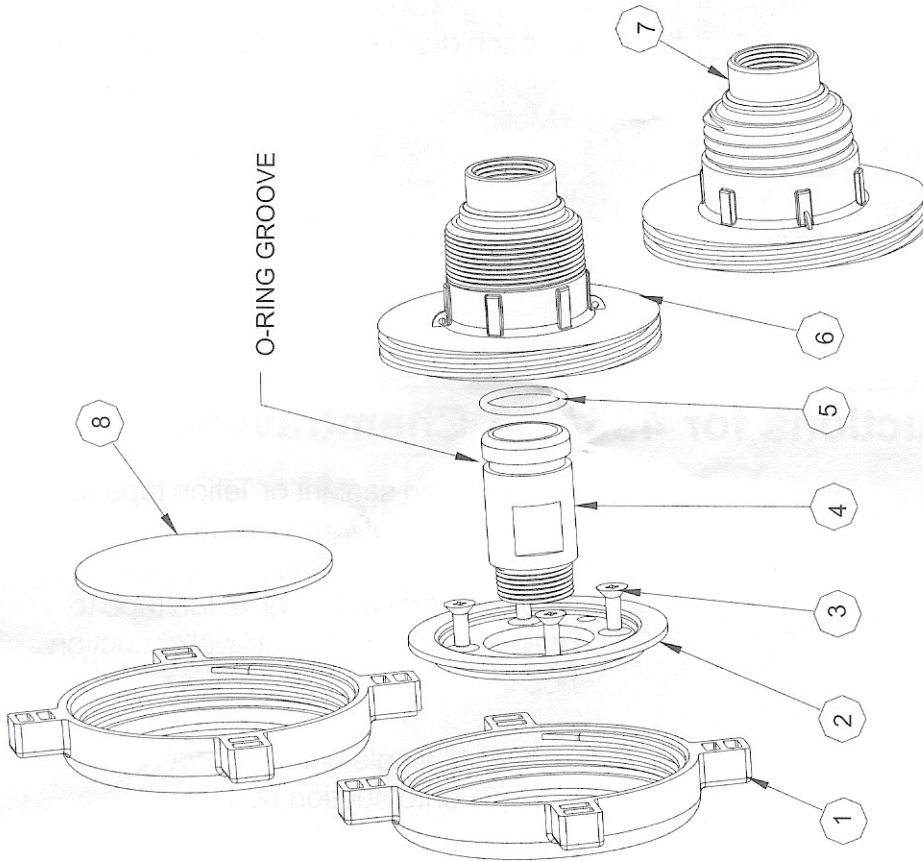
Price \$1771.00

**BASIC PUMP WITH:**

- Santoprene® Diaphragm
- 1" x 14' EPDM Discharge Hose
- 1" x 9' EPDM Suction Hose
- Ball-Valve Nozzle
- 12 Volt DC
- 110 Volt AC Electric
- 20' Battery Cable and Clips
- 825 Digital Meter
- Low Profile Tubular Frame
- High Profile Tubular Frame
- Wheel Kit

110 Volt

# Quick Adapter for 2" Bung Kit 400KTG8106 (Included in SS417)



NO.	PART NAME	PART NO.	QTY.
9	SUCTION PIPE (NOT SHOWN)	400F1855	1
8	DUST CAP	400G8070	1
7	BUTTRESS ADAPTER FITTING	400G8069	1 OPT.
6	2" NPT ADAPTOR FITTING	400G8064	1 OPT.
5	O-RING 218 VITON	400G8108	1
4	PUMP PROBE	400G8066	1
3	.25-20 X .75 FHMS	400G8081	4
2	PUMP FLANGE	400G8065	1
1	THREADED COLLAR	400G8078	2

- 1) Thread NPT Adapter (item 6) or Buttress Adapter (item 7) with suction installed into the 2" tank opening. (Use Teflon® tape on suction pipe thread)
- 2) Using Teflon tape, thread Pump Probe (item 4) into the inlet port of the pump. O-ring (item 5) should be in the o-ring groove.
- 3) Lubricate O-ring with Vaseline or oil.
- 4) Set the pump onto the tank inserting pump probe (item 4) into the adapter on the tank. Tighten Threaded Collar (item 1) firmly.
- 5) Installation of the pump to the tank is completed. The extra Threaded Collar (item 1) and Dust Cap (item 9) are used to protect tank adapter when pump is removed.



BILL OF MATERIAL			
ITEM NO.	PART NO.	DESCRIPTION	NO. REQ'D
1	400F6832	FRAME-GLOSS BLACK	1
*2	400G7006	1" NORWESCO NOZZLE NO TIP	1
3	400F3622	1" POLY BALL VALVE	1
4	400F3428	1" POLY SHORT NIPPLE	1
*5	800F1703	825 METER	1
6a	435F3457	1" X 14' EPDM DISCHARGE HOSE, RED	1
6b	400F3140	1" X 12' NYALL HOSE, BLACK	OPT
7	400F6679	90° FLANGE, BRASS INSERTS	2
8	400F6817	1/4" X 2.25" SS BOLT	4
9a	400F6909	PUMP SUB, 12VDC, SANTOPRENE	1
9b	400G7098	PUMP SUB, 12VDC, SANTOPRENE, SS INSERTS	OPT
9c	400G7163	PUMP SUB, 12VDC, SANTOPRENE, SS INSERTS, HASTELLOY SPRINGS	OPT
10a	435F3455	1" X 9' EPDM SUCTION HOSE, BLACK	1
10b	400F3140	1" X 12' NYALL HOSE, BLACK	OPT
11	39G7046	1" POLY STREET ELBOW / BARB	1
13	400F3618	1" FEMALE COUPLER	1
14	400F2702	12V CABLE ASSEMBLY W/CLIPS	1
15	400F6792	1/4" X 3/4" SS BOLT	4
17	400F1671	HOSE CLAMP	4
18	400F1672	HOSE BARB ADAPTER, 1"	3

\*NOT INCLUDED IN ALL MODELS

