

**LIST PRICE
CALL FOR DISCOUNTS!**

FILLRITE

Ag Chemical Pumps & Meters

Model
39 without Counter
& 39C with counter

128 oz. Per Stroke
(1 Gal.)

Model 39-\$ 498.00

Model 39C*-\$ 533.00

BASIC PUMP WITH:

- Quart Measurement (32 oz.)
- Gallon Measurement (128 oz.)
- Volumetric Accuracy
- 3/4" x 10' Clear EVA Hose
- 1" x 10' Clear EVA Hose
- Ball Valve & Anti-Drip Spout
- 2" NPS Bung Adapter (1" Inlet)
- Telescoping Suction Pipe
- Counter *
- F1312 Gasket for use with Fill-Guard® Fittings



39
39C 35
35C

Model
35 without Counter
& 35C with counter

32 oz. Per Stroke
(1 Qt.)

Model 35-\$ 295.00

Model 35C*-\$329.00

BASIC PUMP WITH:

- Volumetric Accuracy
- 3/4" x 10' Clear EVA Hose
- Ball Valve & Anti-Drip Spout
- 2" NPS Bung Adapter (1" Inlet)
- Telescoping Suction Pipe
- Counter *
- F1312 Gasket for use with Fill-Guard® Fittings



Model
420
& 421

Max GPM - 13

Price Model 420 \$978.00

Model 420 Includes:

- Santoprene® Diaphragm
- 1" x 12' EPDM Hose
- Ball-Valve Nozzle & Nozzle Boot
- Telescoping Suction Pipe
- 20' Battery Cable
- 825 Digital Meter
- 2" NPT Bung Adapter



Model 421 Includes 825 Digital meter \$ 1258.00

Model SS445
for most chemicals

Model SS445X700
For Lumax / Callisto



Recirculating Chemical Pump

Model SS445 or SS445X700

Standard with 9" GEM Mount, Suction Pipe, 825 Meter
Hose and Valve

12 Volt

List Price \$ 1285.00



Model
SS417



Includes:
2" MPT & 2" Buttress Adapters
Suction Pipe, Ball Valve, Hose
and Battery Cable

12 VOLT

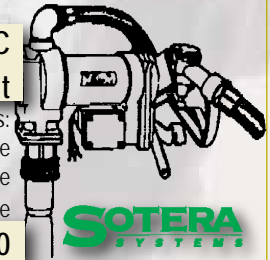


LIST PRICE \$ 887.00

FUEL PUMPS / METERS

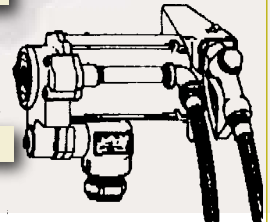
Model 1210C
12 Volt

Includes:
-Hose & Nozzle
-Telescoping suction pipe
-15' Battery Cable
List Price \$618.00



Model FR700
110 Volt

Includes:
-Manual Nozzle
-3/4" x 12' Hose
-1/3HP - 110-60Hz Motor
List Price \$872.00

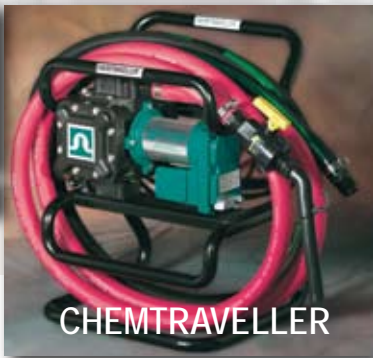


Model
12 Volt 435
Max GPM
13

List \$1579.00

BASIC PUMP WITH:

- Santoprene® Diaphragm
- 1" x 14' EPDM Discharge Hose
- 1" x 9' EPDM Suction Hose
- Ball-Valve Nozzle
- 12 Volt DC
- 110 Volt AC Electric
- 20' Battery Cable and Clips
- 825 Digital Meter
- Low Profile Tubular Frame
- High Profile Tubular Frame
- Wheel Kit



CHEMTRAVELLER

Model
465
Max GPM
16

Price \$1771.00

BASIC PUMP WITH:

- Santoprene® Diaphragm
- 1" x 14' EPDM Discharge Hose
- 1" x 9' EPDM Suction Hose
- Ball-Valve Nozzle
- 12 Volt DC
- 110 Volt AC Electric
- 20' Battery Cable and Clips
- 825 Digital Meter
- Low Profile Tubular Frame
- High Profile Tubular Frame
- Wheel Kit

110 Volt



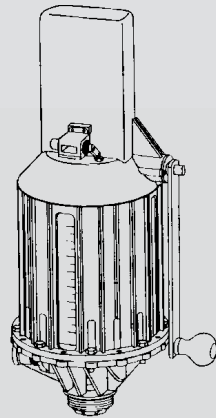
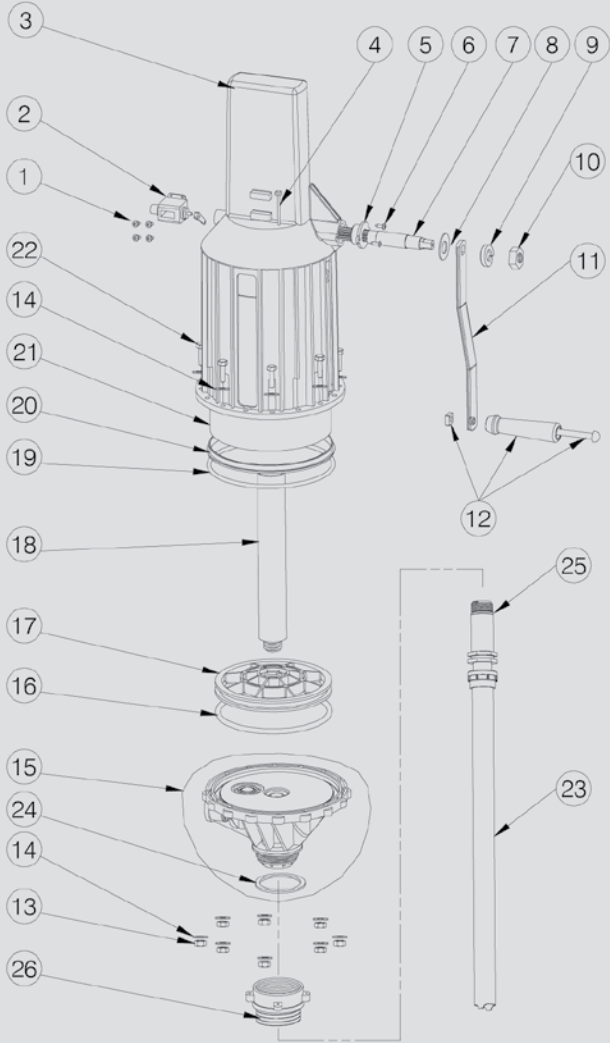
Model 807CMK
807 CMK Series Meter Kit
List Price \$416.00

**TOLL FREE CUSTOMER CARE NUMBER
800 634 2695**



MODEL 39 PARTS LIST

ITM NO.	PART NO.	DESCRIPTION	WETTED MATERIALS	QTY	
1	35F1397	Screw, #4 x 3/8", 4 required		Opt.	\$4.58
2	35F1292	Counter with Lever Arm		Opt.	78.06
3	39F1788	Pump Shroud	Polypropylene	1	58.04
4	39G7141	Counter Activator, Gallon		Opt.	5.00
	39G7145	Counter Activator, 4 Liter		Opt.	5.00
5	35F1283	Bushing		1	4.58
6	35F1396	Screw, #8 x 1/2"		2	4.58
7	39F1811	Pinion	Steel	1	41.75
8	39F1837	Washer, Nylon		1	4.58
9	35F1372	Lockwasher, 1/2"		1	4.58
10	35F1371	Hex Nut, 1/2-13		1	4.58
11	39F1820	Crank Handle		1	11.13
12	100F1086	Grip Assembly		1	4.35
13	35F7224	Locknut, 1/4-20		8	4.58
14	400F6793	Washer, 1/4 Flat		16	4.58
15	39G7042	Base Assembly, NPT Threads	Polypropylene, Hastelloy-C,	1	66.34
	39G8085	Base Assembly, BSPT Outlet			66.34
16	39F1815	Plunger O-Ring (-435)	Fluorocarbon	1	41.92
17	39F1789	Plunger	Polypropylene	1	106.77
18	39F1793	Rack, Gallon	Steel	1	106.77
	39F1833	Rack, Liter		Opt.	106.77
19	39F1814	Base O-Ring (-363)	Fluorocarbon	1	21.55
20	39F1812	Spacer Ring		1	17.20
21	39F1810	Tube, Printed	Barex	1	77.34
22	39F1822	Screw, 1/4-20 x 1.25 HHCS		8	4.58
23	39G7043	Suction Tube	Polypropylene	1	34.50
24	35F1312	Bung Gasket (Included w/Item 15)		1	4.58
					4.58
25	39G7044	O-Ring (Included w/Item 23)	Fluorocarbon	1	4.58
26	BCHBU200	2" Buttress/2" NPT Adapter			N/A



Patent No. 5713723

MODEL 39 REPAIR KIT- 39KTG7258			
ITEM NO.	PART NO.	DESCRIPTION	QTY
17	39F1789	Plunger	1
21	39F1810	Calibrated Tube	1
16	39F1815	Plunger O-Ring	1
20	39F1812	Base O-Ring	1

\$114.00

39 & 39C Parts



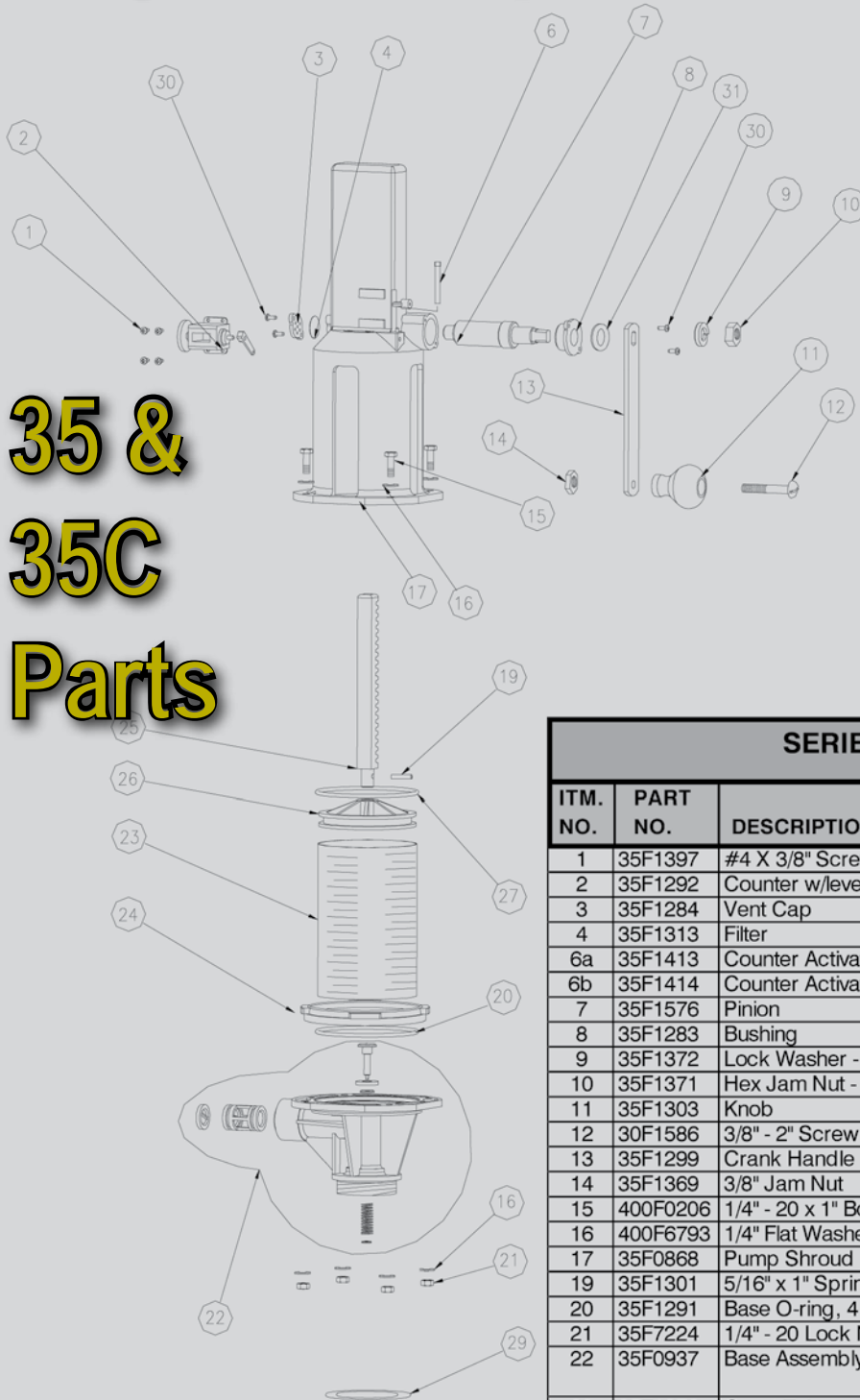
FILLRITE Ag Chemical Pumps & Meters

SERIES 35 REPAIR KIT 35KTF1416		
PART NO.	DESCRIPTION	QTY
35F0895	Piston	1
35F1276	Calibrated Tube	1
35F1289	Piston O-Ring (-391)	1
35F1291	Base O-Ring (4 x 98 mm)	1
35F1301	Piston Spring Pin	1

\$112.52

COUNTER KIT 35KTF1415		
PART NO.	DESCRIPTION	QTY
35F1292	Counter w/lever arm	1
35F1397	Screw, #4 x 3/8"	4
35F1413	Counter Activator, Quart	1
35F1414	Counter Activator, Liter	1
35F1417	Hole Template	1

\$81.00



35 & 35C Parts

SERIES 35 PARTS LIST				
ITM. NO.	PART NO.	DESCRIPTION	MATERIAL OF CONSTRUCTION	QTY
1	35F1397	#4 X 3/8" Screw, 4 required		Opt.
2	35F1292	Counter w/lever arm		Opt.
3	35F1284	Vent Cap		1
4	35F1313	Filter		1
6a	35F1413	Counter Activator, Quart		Opt.
6b	35F1414	Counter Activator, Litre		Opt.
7	35F1576	Pinion		1
8	35F1283	Bushing		1
9	35F1372	Lock Washer - 1/2"		1
10	35F1371	Hex Jam Nut - 1/2"		1
11	35F1303	Knob		1
12	30F1586	3/8" - 2" Screw		1
13	35F1299	Crank Handle		1
14	35F1369	3/8" Jam Nut		1
15	400F0206	1/4" - 20 x 1" Bolt		4
16	400F6793	1/4" Flat Washer		8
17	35F0868	Pump Shroud	Polypropylene	1
19	35F1301	5/16" x 1" Spring Pin		1
20	35F1291	Base O-ring, 4 x 98mm	Fluorocarbon	1
21	35F7224	1/4" - 20 Lock Nut		1
22	35F0937	Base Assembly, Green	Polypropylene, fluorocarbon, stainless steel	1
23	35F1276	Quart Tube	Barex	1
24	35F1153	Spacer Ring	Polypropylene	1
25a	35F1579	Rack, Quart		1
25b	35F1580	Rack, Liter		1
26	35F0895	Piston	Polypropylene	1
27	35F1289	Piston O-ring - 341	Fluorocarbon	1
	35F1462	Self-lubricating O-Ring	Teflon®	Opt.
29	35F1312	Bung Gasket	EPDM	1
30	35F1396	#8 x 1/2" Screw		4
31	F391837	Nylon spacer washer		1
	25VF0035	Telescoping Suction Pipe (Not Shown)	Polypropylene, fluorocarbon	Opt.

\$ 4.58
78.06
4.58
4.58
4.58
4.58
4.58
4.58
4.58
4.58
4.58
7.83
2.80
4.45
4.58
33.20
4.35
33.20
4.58
60.61
50.92
4.45
89.84
89.84
10.19
15.48
66.23
4.58
4.58
4.58
34.50

