



MONARCH CAST IRON TRANSFER PUMPS

BSGF SERIES by MONARCH

The Monarch BSGF Series of selfpriming engine driven pumps are designed primarily for liquid fertilizer transfer using a semi open impeller. The BSGF pumps are constructed of rugged, abrasion resistant cast iron, with cast iron impellers. They also have a viton and stainless steel shaft seal to resist most ag chemicals and liquid fertilizer. Selected models available in Briggs & Stratton or Honda engines.



SPECIAL PRICING!

LIST PRICE CALL FOR DISCOUNTS!

Features:

CASING-RUGGED CAST IRON

SUCTION & DISCHARGE- 2 inch or 3 inch.

IMPELLER-4 vane, semi-open, gray cast iron, with "blind hole" for engine protection.

SEAL-Self lubricating, mechanical, precision lapped & polished, carbon-ceramic faces, Viton bellows.

Part#	Port Size	Motor	List Price
BSGF-10	2"	5HP B&S	\$ 766.00
BSGF-10H	2"	5.5HP HONDA	1,243.00
8BSG5-12	3"	8HP B&S	1,549.00
8BSG5-12H	3"	9HP HONDA	2,340.00

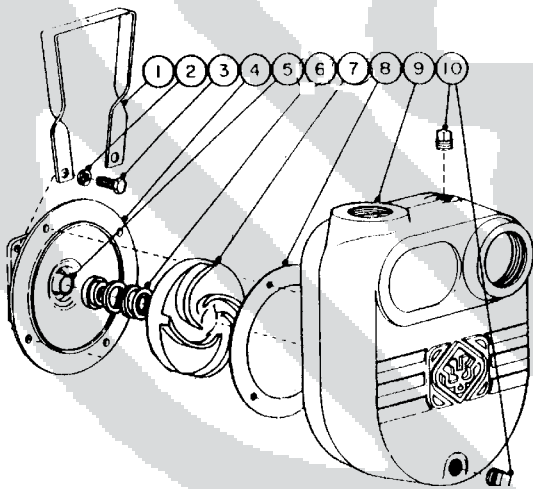
Pump Models

B = 5BSGF-8, 5BSGF-8H

C = BSGF-10, BSGF-10H

D = BSGF-12

E = 8BSGF-12, 8BSGF-12H



PARTS

Ref#	Part#	Pump Model	Description	List Price
4	438280	B,C	Adapter	\$ 94.00
4	438481	E	Adapter	165.00
5	266000	B,C	Sleeve	25.00
5	414144	E	Sleeve	98.00
6	240344	B,C	Seal, 3/4"	39.00
6	240359	E	Seal, 1 1/4"	139.00
7	438190	B	Impeller	72.00
7	438200	C	Impeller	96.00
7	438475	E	Impeller	101.00
8	193930	B,C	Gasket	6.00
8	193919	E	Gasket	6.00
9	438057	B,C	Casing	287.00
9	438471	E	Casing	474.00
10	185650	ALL	Gasket	5.00

FEATURES:

*CAST IRON CONSTRUCTION

*STAINLESS STEEL SHAFTSLEEVE

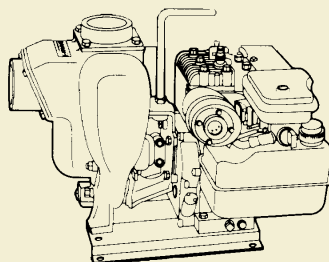
*CARBON CERAMIC SEAL W/ STAINLESS

& VITON PARTS *DYNAMIC BALANCED

IMPELLER *AVAILABLE IN 1 1/2", 2" & 3".

BANJO CAST IRON TRANSFER PUMPS

Special Orders Only



Part#	Description	Port	List Price
150-PI-3	3.5 HP B&S	1 1/2"	\$912.00
200-PI-3	3.5 HP B&S	2"	912.00
200-PI-5	5HP B&S	2"	1025.00
200-PIH-5	5HP Honda	2"	1664.00
300-PI-8	8HP B&S	3"	2313.00
300-PIH-8	8HP Honda	3"	3387.00
300-PIH-11	11HP Honda Elect. start	3"	3662.00
300-PIH-13	13 Hp Elect Start	3"	3879.00

Pump Only for Gas Engine

200POI	Kit for Gas Engine	2"	529.00
300POI	Kit for Gas Engine	3"	1215.00

Pedestal Pumps / Cast Iron

200PBI	Pedestal Pump, Cast Iron 2"	733.00
300PBI	Pedestal Pump, Cast Iron 3"	1415.00

ELECTRIC MOTOR DRIVEN PUMPS

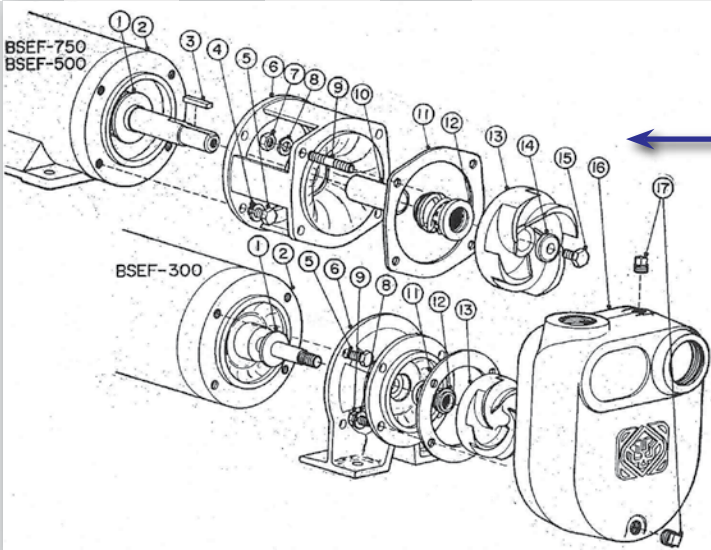
Pump/Part#	Suct/Disch.	H.P.	Electrical Characteristics	Price
BSEF-150-TE	1 1/4"	1 1/2	1/60/115/230V	\$775.00
BSEF-200-TE	2"	2	1/60/115/230V	\$908.00
BSEF-300-TE	2"	3	1/60/230V	\$1148.00
BSEF-300-TE-3	2"	3	3/60/208-230/460V	\$1201.00
BSEF-500-TE	3"	5	1/60/230V	\$2002.00
BSEF-500-TE-3	3"	5	3/60/208-230/460V	\$1461.00
BSEF-750-TE-3	3"	7 1/2	3/60/208-230/460V	\$1726.00



MONARCH PEDESTAL PUMPS



Part#	Suction/Disch.	Gpm	Shaft	List Price
BSTF-82	2"	127	3/4"	353.00
BSTF-125	3"	272	3/4"	827.00



Ref#	A=BSE-300 B=BSE-500 C=BSE-750			Price
	A	B	C	
1	1			\$ 2.06
1		1	1	\$ 2.06
2		Varies		
2		Varies		
2		Varies		
3		1	1	\$ 2.06
4		4	4	\$ 2.06
5	4			\$ 2.06
5		4	4	\$ 2.06
6	1			\$ 96.17
6		1	1	\$ 126.90
7		4	4	\$ 2.06
8		4	4	\$ 2.06
9	4			\$ 2.06
9		4	4	\$ 5.20
10		1	1	\$ 13.18
11	1			\$ 2.06
11		1	1	\$ 2.16
12	1			\$ 50.48
12		1	1	\$ 86.52
13	1			\$ 59.14
13		1		\$ 118.84
13			1	\$ 151.42
14		1	1	\$ 19.48
15		1	1	\$ 2.06
16	1			\$ 317.24
16		1	1	\$ 317.24
17	2	2	2	\$ 2.06

Ref#	A=BSTF-51 B=BSTF-82 C=BSTF-83 D=BSTF-125				Price
	A	B	C	D	
1	1				\$ 139.08
1		1			\$ 139.08
1			1	1	\$ 137.72
2		4	4	4	\$ 2.06
3		4	4	4	\$ 2.06
4		4			\$ 2.06
4			4		\$ 5.34
4			4	4	\$ 5.34
5	1	1			\$ 2.06
5			1	1	\$ 2.06
6	1	1			\$ 74.98
6			1	1	\$ 187.98
7			2	2	\$ 21.34
8	1	1			\$ 2.06
8			1	1	\$ 2.06
9			1	1	\$ 15.86
10	1	1			\$ 2.06
10			1	1	\$ 2.06
11			1	1	\$ 49.32
12			1		\$ 63.02
12			1		\$ 55.52
13	1	1			\$ 50.48
13			1	1	\$ 128.34
14	1				\$ 2.06
14		1	1		\$ 3.00
14				1	\$ 5.06
15	1				\$ 50.48
15		1			\$ 57.68
15			1		\$ 99.50
15				1	\$ 90.58
16	1				\$ 180.26
16		1	1		\$ 173.04
16				1	\$ 317.24
17	2	2	2	2	\$ 2.06

