

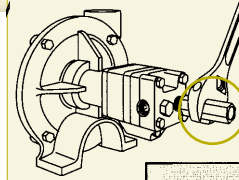


ACE HYDRAULIC PUMPS

**LIST PRICE
CALL FOR DISCOUNTS!**



All ACE Pumps
on this Page
Will Ship UPS!



**HYDRAULIC
FLOW LIMITERS**
-204 \$42.00 / -206 or 210 \$42.00
-LS304 \$49.0

Flow Limiters
extend the
life of
Hydraulic
motors.
Prevents
Overspinning
of Motor!

PUMP MODEL	FLOW LIMITER	EDP#
FMC-HYD-204	LS204	41409
FMC-HYD-210	LS210	41411
FMC-150-HYD-206	LS206	41408
FMC-200-HYD-210	LS210-200	41411
FMC-HYD-304	LS304	41413

HYDRAULIC MOTOR DRIVEN CENTIFUGAL PUMPS



1 1/4" Suction x 1" Discharge (See Flow Limiters, Upper right)

MODEL	EDP NO.	DESCRIPTION	WT.	PRICE
FMC-HYD-204	049800	Maximum pressure 100 PSI at 4600 RPM and 75 GPM at open discharge. 4 GPM hydraulic motor can be used on Pressure Compensating Closed Center Systems or Open Center Systems rated at 4-13 GPM. Equipped with restrictor orifice.	26	840.00
FMC-HYD-210	049810	Maximum pressure 100 PSI at 4600 RPM and 75 GPM at open discharge. 8 GPM hydraulic motor can be used on Load Sensing Closed Center Systems or Open Centered Systems rated 8-17 GPM. Equipped with restrictor orifice.	27	840.00
FMC-HYD-310	049850	Maximum pressure 60 PSI at 3950 RPM and 180 GPM at open discharge. 16 GPM hydraulic motor can be used on Open Center Systems rated 16-24 GPM.	33	875.00

1 1/2" Suction x 1 1/4" Discharge (See Flow Limiters, Upper right)

**150 SERIES
HIGH PERFORMANCE**

MODEL	EDP NO.	DESCRIPTION	WT.	PRICE
FMC-150-HYD-206	049920	Maximum pressure 60 PSI at 5100 RPM and 120 GPM at open discharge. 7 GPM hydraulic motor can be used on Pressure Compensating Closed Center Systems, Load Sensing Closed Center Systems, and Open Center Systems rated 7-16 GPM. Equipped with restrictor orifice.	31	865.00

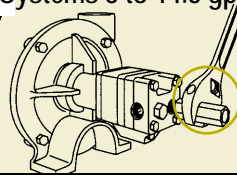
2" Suction x 1 1/2" Discharge (See Flow Limiters, Upper right)

MODEL	EDP NO.	DESCRIPTION	WT.	PRICE
FMC-200-HYD-210	049840	Maximum pressure 60 PSI at 3950 RPM and 180 GPM at open discharge. 8 GPM hydraulic motor can be used on Pressure Compensating Closed Center Systems, Load Sensing Closed Center Systems, and Open Center Systems rated 8-17 GPM. Equipped with restrictor orifice.	33	1020.00
FMC-200-HYD-304	049859	Maximum pressure 120 PSI at 5100 RPM and 200 GPM at open discharge. 11 GPM hydraulic motor can be used on Pressure Compensating Closed Center Systems, Load Sensing Closed Center Systems, and Open Center Systems rated 11-20 GPM. Equipped with restrictor orifice.	38	1020.00
FMC-200-HYD-310	049860	Maximum pressure 60 PSI at 3950 RPM and 180 GPM at open discharge. 16 GPM hydraulic motor can be used on Open Center Systems rated 16-24 GPM.	38	1100.00

NEW!! FMC-650-HYD Max. 160psi, Max. 140gpm, Hydraulic Flow 8-14.3gpm,
All closed Center, Open Center Systems 8 to 14.3 gpm. 3/4" Hyd. hose only

\$ 985.00

HYDRAULIC ACCESSORIES



LS204	41409	Flow limiting valve for the BAC-75-HYD-204 motor when used on Load Sensing Closed Center Systems.	1	42.00
LS206	41408	Flow limiting valve for the BAC-75-HYD-206 motor when used on Load Sensing Closed Center Systems.	1	42.00
LS210	41411	Flow limiting valve for the BAC-75-HYD-210 motor when used on Load Sensing Closed Center Systems.	1	42.00
LS304	41413	Flow limiting valve for the BAC-75-HYD-304 motor when used on Load Sensing Closed Center Systems.	1	49.00

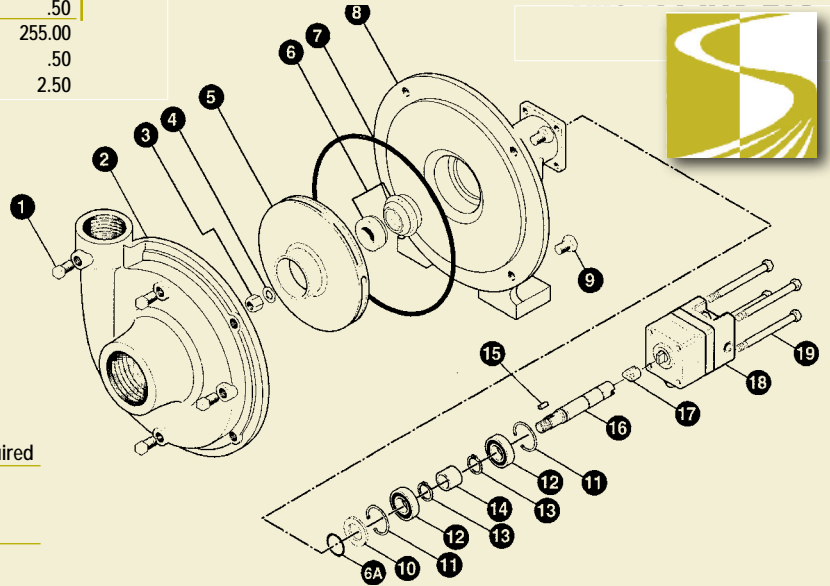
ACE PUMP PARTS HYDRAULIC PUMPS



FMC-150-HYD-206 Parts Breakdown

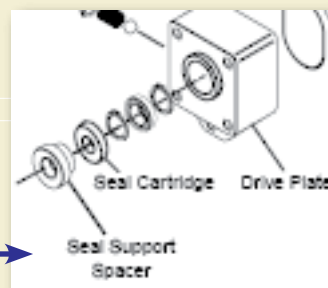
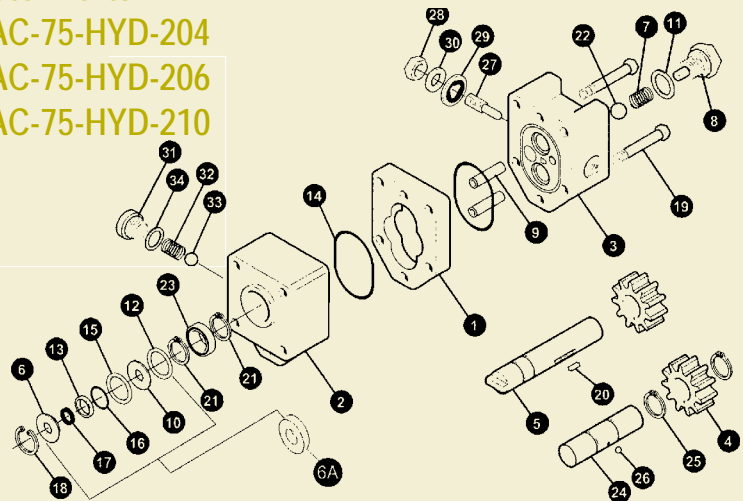
Ref #	PART NO.	DESCRIPTION	REQ.	PRICE	Ref #	PART NO.	DESCRIPTION	REQ.	PRICE
1	41110	1/8" NPT Pipe plug	3	.50	10	BAC-54	Slinger	1	1.50
1	41120	1/8" NPT Pipe plug, S.S.	3	4.00	11	BAC-32	External snap ring	2	.50
2	BAC-12-150	1 1/2" x 1 1/4" Volute	1	180.00	12	BAC-37	Sealed ball bearing	2	18.00
3	BACH-23-A3/8"	N.F. Hex nut, S.S.	1	2.00	13	BAC-33	Internal snap ring	2	2.00
4	BAC-24-HYD-SS	3/8" Lock washer, S.S.	1	1.50	14	BAC-32-S	Spacer	1	4.00
5	BAC-26-150-CI	Impeller, w/keyway, Cast Iron	1	110.00	15	BACH-25	1/8" x 1/8" x 1/2" Impeller Key	1	1.00
5	BAC-26-150-P	Impeller, w/ key, Poly	1	55.00	16	BAC-6-HYD	Only available in SS below		N/A
6	BAC-7B	Buna-N seal (optional)	1	40.00	16	BAC-6-HYD-SS	5/8" Driven shaft S.S.	1	70.00
6	BAC-7V	Viton seal (STANDARD)	1	37.00	19	41258	5/16" N.C. x 3 3/4" cap screw	4	2.00
6	BAC-7SC	Silicon carbide seal(optional)	1	112.00	17	BAC-76-HYD	Coupling	1	25.00
7	BAC-4-150	O Ring Large / for Volute	1	6.00	18	BAC-75-HYD-206	Hydraulic motor	1	460.00
#	40160	"O" Ring / Included w/ seal	1	.50					
8	BAC-14-150-HYD	Mounting frame	1	255.00					
9	40950	3/8" N.C. x 3/4" cap screw	4	.50					
9	40930	3/8" N.C. x 3/4" cap screw, S.S.	4	2.50					

**FMC-150-HYD-206
PRICING ABOVE
Breakdown Right**



REF#	204	206	210	Description	Required
1	41720 \$130.00	41721 \$130.00	41725 \$130.00	Gear Hsng.	1
2	41731 \$275.00	41731 \$275.00	41731 \$275.00	Drive Plate	1
3	41740 \$250.00	41740 \$250.00	41740 \$250.00	End Plate	1
4	41750 \$80.00	41751 \$90.00	41755 \$100.00	Gear	2
5	41761 \$80.00	41764 \$90.00	41766 \$100.00	Drive Shaft	1
6	41770 \$25.00	41770 \$25.00	41770 \$25.00	Steel Retr.	1
7	41780 \$2.00	41780 \$2.00	41780 \$2.00	Spring	1
8	41790 \$35.00	41790 \$35.00	41790 \$35.00	Valve cap	1
9	41800 \$3.00	41805 \$3.00	41805 \$3.00	Dowel pin	2
10	41810 \$4.00	41810 \$4.00	41810 \$4.00	Washer	1
11	41820 \$2.00	41820 \$2.00	41820 \$2.00	Washer	1
12	41830 \$2.50	41830 \$2.50	41830 \$2.50	Wire ring	1
13	41840 \$5.25	41840 \$5.25	41840 \$5.25	Collar	1
14	41850 \$1.75	41850 \$1.75	41850 \$1.75	O Ring	2
15	41860 \$1.75	41860 \$1.75	41860 \$1.75	O Ring	1
16	41870 \$1.75	41870 \$1.75	41870 \$1.75	O Ring	1
17	41880 \$6.00	41880 \$6.00	41880 \$6.00	Quad Ring	1
18	41890 \$1.00	41890 \$1.00	41890 \$1.00	Ret. Ring	1
19	41900 \$1.75	41900 \$1.75	41905 \$2.00	Cap Screw	2
20	41920 \$2.00	41921 \$2.00	41925 \$2.00	Dowel Pin	1
21	41941 \$.75	41941 \$.75	41941 \$.75	Snap Ring	2
22	41950 \$1.00	41950 \$1.00	41950 \$1.00	Ball	1
23	41961 \$42.00	41961 \$42.00	41961 \$42.00	Bearing	1
24	41970 \$50.00	41971 \$50.00	41975 \$50.00	Idler shaft	1
25	41980 \$1.50	41980 \$1.50	41980 \$1.50	Ret. Ring	2
26	41990 \$1.50	41990 \$1.50	41990 \$1.50	Ball	1
27	42010 \$25.00	42010 \$25.00	42010 \$25.00	Adj. Screw	1
28	40960 \$.50	40960 \$.50	40960 \$.50	Jam Nut	1
29	42030 \$8.00	42030 \$8.00	42030 \$8.00	Thread Seal	1
30	42040 \$3.00	42040 \$3.00	42040 \$3.00	Washer	1
31	42041 \$20.00	42041 \$20.00	42041 \$20.00	Valve Cap	1
32	42042 \$2.00	42042 \$2.00	42040 \$3.00	Spring	1
33	42043 \$1.50	42043 \$1.50	42043 \$1.50	Ball	1
34	42044 \$2.00	42044 \$2.00	42044 \$2.00	O Ring	1

**Motor Parts:
BAC-75-HYD-204
BAC-75-HYD-206
BAC-75-HYD-210**



REPAIR KIT #RK-BAC-75-HYD (For 204, 206 & 210)	\$22.75
RK-BAC-75-HYD-L (new style cartridge seal)	\$42.50
S200 (spacer for retrofitting to old style pump)	\$3.00



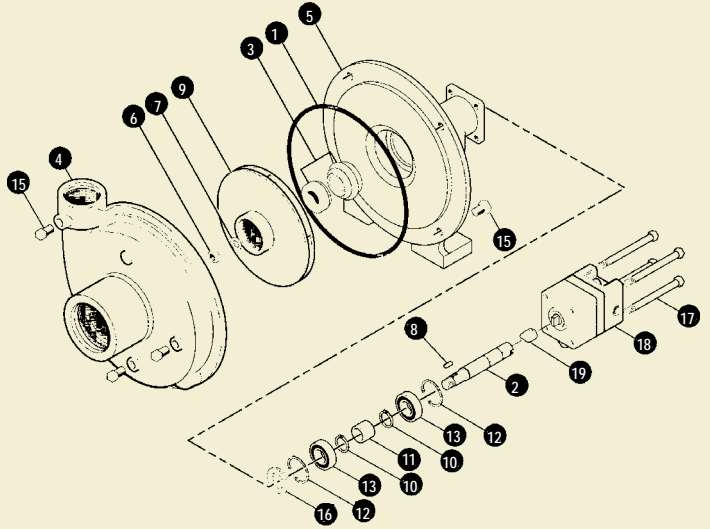


ACE PUMP PARTS

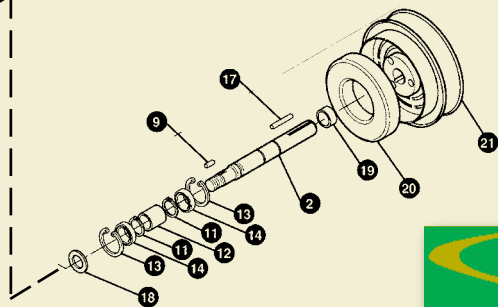
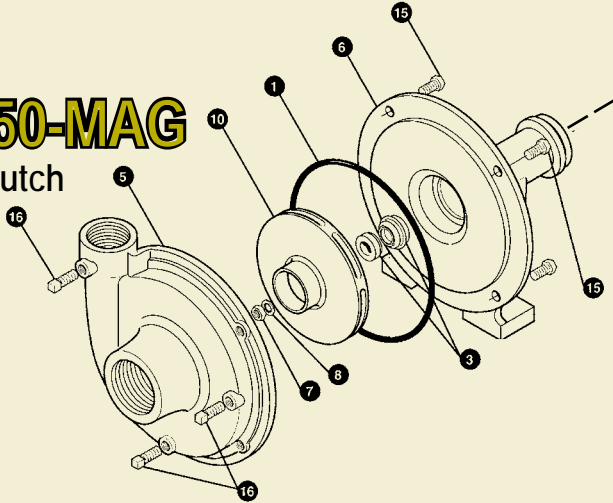
Ref #	PART NO.	DESCRIPTION	REQ.	PRICE
1	BAC-4 A	O Ring New Style	1	\$6.00
1A	*BAC-4	Gasket, 4 hole	1	2.50
2	BAC-6-HYD	Only Available in SS Below	1	N/A
2	BAC-6-HYD-SS	5/8" Driven shaft w/tang slot, S.S.	1	70.00
3	BAC-7B	Buna N mechanical seal (optional)	1	40.00
3	*BAC-7V	Viton mechanical seal	1	37.00
#	*40160	"O" Ring for BAC-6-HYD shaft	1	.50
4	BAC-12	1 1/4" x 1" Volute	1	145.00
5	BAC-14-HYD	Mounting frame	1	215.00
5	BAC-14-HYD-310	Mounting frame (310)	1	220.00
6	BAC-23-A	3/8"N.F. Hex nut	1	2.00
7	BAC-24-HYD-SS	3/8" Washer	1	1.50
8	BACH-25	Impeller key	1	1.00
9	BAC-26-HYD-VALOX	Impeller, Valox	1	55.00
9	BAC-26-HYD-CI	Impeller, cast iron (optional)	1	110.00
10	BAC-32	External snap ring, driven shaft	2	.50
11	BAC-32S	Spacer for BAC-6-HYD	1	4.00
12	BAC-33	Internal snap ring, BAC-14	2	2.00
13	BAC-37	Sealed ball bearing, BAC-6	2	18.00

Ref #	PART NO.	DESCRIPTION	REQ.	PRICE
14	40950	Hex head cap srew	4	\$.50
14	40930	Hex head cap screw, S.S.	4	2.50
15	41110	1/8" NPT Pipe plug	3	.40
15	41120	1/8" NPT Pipe Plug, S.S.	3	5.00
16	BAC-54	Slinger	1	1.50
17	41256	Hex head cap screw (204)	4	2.00
17	41257	Hex head cap screw (210)	4	2.25
17	41330	Hex head cap screw (310)	4	.50
18	BAC-75-HYD-204	Hydraulic motor	1	460.00
18	BAC-75-HYD-210	Hydraulic motor	1	400.00
18	BAC-75-HYD-310	Hydraulic motor	1	670.00
19	BAC-76-HYD	Coupling for hydraulic motor	1	25.00

FMC-HYD-204/210/310 PRICING ABOVE



ACE FMC-150-MAG Magnetic Clutch Driven Pump Parts



Ref#	Part No.	Description	#Req.	Price
1	BAC-4-150	"O" Ring	1	6.00
2	BAC-6-150/200	Only Available in SS Below		N/A
2	BAC-6-150/200-SS	5/8 Shaft Stainless	1	60.00
3	BAC-7V	Seal	1	37.00
4	40160	"O" Ring	1	.50
5	BAC-12-150	Volute 1 1/2" x 1 1/4"	1	180.00
6	BAC-14-150-MAG	Mounting Frame	1	230.00
7	BAC-23-A	Hex Nut, Stainless	1	2.00
8	BAC-24-HYD-SS	3/8" Washer, Stainless	1	1.50
9	BACH-25	1/8" Key	1	1.00
10	BAC-26-150-CI	Impeller, CI with keyway	1	110.00
10A	BAC-26-150-P	Impeller, Poly w/ keyway	1	55.00
11	BAC-32	External snap ring	2	.50
12	BAC-32-S	Spacer for Shaft	1	4.00

Ref#	Part No.	Description	#Req.	Price
12	BAC-32-S	Spacer	1	4.00
13	BAC-33	Internal Snap Ring	2	2.00
14	BAC-37	Bearing	2	18.00
15	BAC-39	Cap Screw	1	2.00
16	41110	1/8" Pipe Plug	4	.50
17	BAC-50	3/16" Key	1	1.25
18	BAC-54	Slinger	1	1.50
19	41477	Spacer	1	10.00
20	41476	Coil Ring, 12 volt	1	200.00
21	41479	Assmby.Pulley, with bearing & Clutch Driver	1	450.00
#	41475	Assmby. Above with Coil & Spacer Included	1	650.00