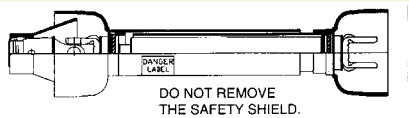


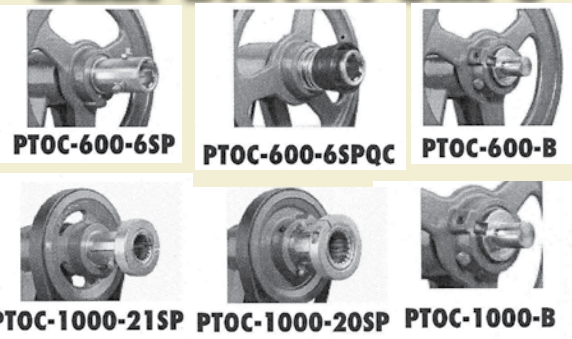
**LIST PRICE
CALL FOR DISCOUNTS!**



BELT DRIVE PUMPS



PTO Extensions: List Price
 PTO-EXT-540.....\$253.00
 PTO-EXT-1000.....253.00



1 1/4" Suction x 1" Discharge

MODEL	EDP NO.	DESCRIPTION	WT.	PRICE
PTOC-600-6SP	047620	Cast iron straight centrifugal with pulleys and 10 groove belt arranged for direct mounting on 1c" 600 RPM PTO shaft. 0-70 PSI. Equipped with 6 spline PTO drive shaft. Viton mechanical seal. Fully guarded for operator safety.	45	765.00
PTOC-600-6SPQC	047640	Cast iron straight centrifugal with pulleys and 10 groove belt arranged for direct mounting on 1c" 600 RPM PTO shaft. 0-70 PSI. Equipped with 6 spline quick coupler PTO drive shaft. Viton mechanical seal. Fully guarded for operator safety.	46	775.00
PTOC-600-B	048400	Cast iron straight centrifugal with pulleys and 10 groove belt. 1" diameter stub shaft and integral mounting base. 600 RPM Tumblerod drive shaft. 0-70 PSI. Equipped with Viton mechanical seal. Fully guarded for operator safety.	42	775.00
PTOC-1000-21SP	047800	Cast iron straight centrifugal with pulleys and 10 groove belt arranged for direct mounting on 1c" 1000 RPM PTO shaft. 0-70 PSI. Equipped with 21 spline split PTO drive shaft and split ring locking collar. Viton mechanical seal. Fully guarded for operator safety.	43	775.00
PTOC-1000-20SP	047810	Cast iron straight centrifugal with pulleys and 10 groove belt arranged for mounting on 1f" 1000 RPM PTO shaft. 0-70 PSI. Equipped with 20 spline split PTO drive shaft and split ring locking collar. Viton mechanical seal. Fully guarded for operator safety.	45	815.00
PTOC-1000-B	048505	Cast iron straight centrifugal with pulleys and 10 groove belt. 0-70 PSI. 1" diameter stub shaft and integral mounting base for 1000 RPM Tumblerod drive shaft. Viton mechanical seal. Fully guarded for operator safety.	40	775.00



*Ace 150 Series Pumps Deliver
100 PSI @ 40 GPM*

150 SERIES
HIGH PERFORMANCE

1 1/2" Suction x 1 1/4" Discharge

MODEL	EDP NO.	DESCRIPTION	WT.	PRICE
PTOC-150-600-6SP	048404	0-100 PSI, cast iron straight centrifugal with pulleys and 10 groove belt assembled for direct mounting on 1c", 600 RPM PTO shaft. Viton mechanical seal. Fully guarded for operator safety.	51	860.00
PTOC-150-600-6SPQC	048403	0-100 PSI, cast iron straight centrifugal with pulleys and 10 groove belt assembled for direct mounting on 1c", 600 RPM PTO shaft; equipped with Quick Coupler. Viton mechanical seal. Fully guarded for operator safety.	51	870.00
PTOC-150-600-B	048402	0-100 PSI, cast iron straight centrifugal with pulleys and 10 groove belt. 1" diameter stub shaft and integral mounting base for 600 RPM Tumblerod drive shaft. Viton mechanical seal. Fully guarded for operator safety.	52	870.00
PTOC-150-1000-21SP	047802	0-100 PSI, cast iron straight centrifugal with pulleys and 10 groove belt arranged for direct mounting on 1c", 1000 RPM PTO shaft. Equipped with 21 spline PTO shaft and locking collar. Viton mechanical seal. Fully guarded for operator safety.	48	885.00
PTOC-150-1000-20SP	047812	0-100 PSI, cast iron straight centrifugal with pulleys and 10 groove belt arranged for direct mounting on 1f", 1000 RPM PTO shaft. Equipped with 20 spline PTO shaft and locking collar. Viton mechanical seal. Fully guarded for operator safety.	50	910.00
PTOC-150-1000-B	048506	0-100 PSI, cast iron straight centrifugal with pulleys and 10 groove belt. 1" diameter stub shaft and integral mounting base for 1000 RPM Tumblerod drive shaft. Viton mechanical seal. Fully guarded for operator safety.	45	870.00

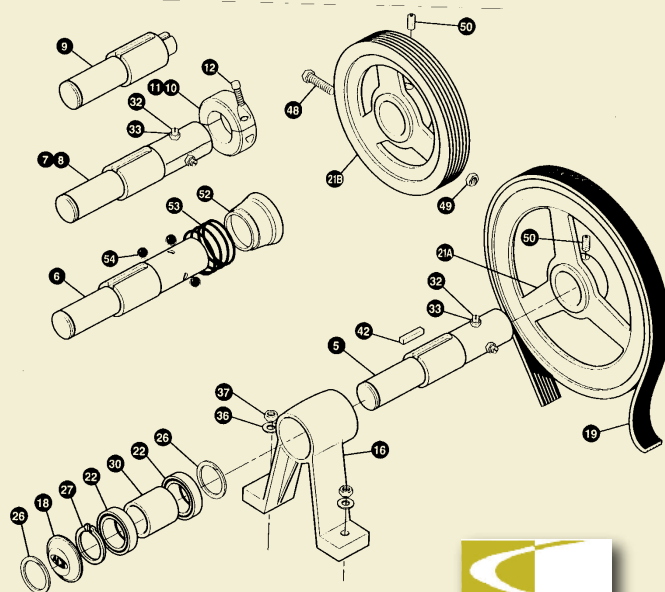
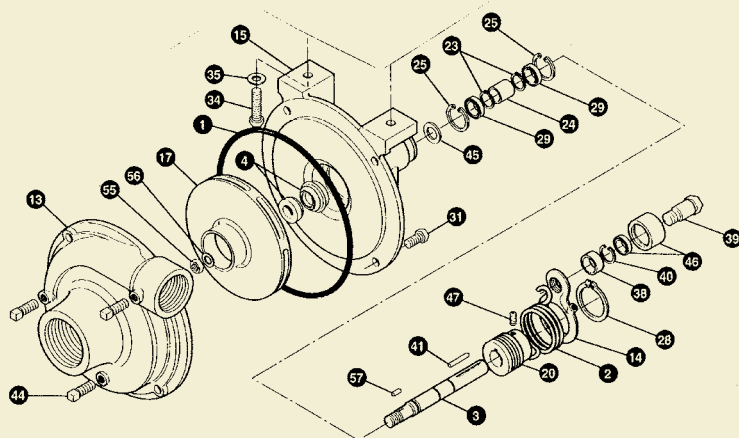
ACE PUMP PARTS

150 SERIES BELT DRIVE



150 Series PARTS

REF#	PART#	DESCRIPTION	LIST
1	BAC-4-150	O-RING, VOLUTE SEAL	\$6.00
2	BAC-5-150	SPRING, TORSION, FOR PTOC-150 IDLER	\$20.00
3	BAC-6-150/200SS	SHAFT, 5/8" DIA, KEYWAY, STAINLESS	\$60.00
4	BAC-7B	SEAL, 5/8" SHAFT, BUNA N	\$40.00
4	BAC-7SC	SEAL, 5/8" SHAFT, VITON/SILICON/CARBIDE	\$112.00
4	BAC-7V	SEAL, 5/8" SHAFT, VITON/CARBON/CERAMIC	\$37.00
5	BAC-10-6SP	SHAFT, 1.375"-6 SPLINE	\$185.00
6	BAC-10-6SPQC	SHAFT, 1.375"-6 SPLINE, QUICK COUPLER	\$190.00
7	BAC-10-175-20SP	SHAFT, 1.75"-20 SPLINE, BAC-11-175	\$235.00
8	BAC-10-21SP	SHAFT, 1.375"-21 SPLINE, BAC-11 COLLAR	\$220.00
9	BAC-10-S	SHAFT, 1" STUB	\$170.00
10	BAC-11	COLLAR FOR BAC-10-21SP, 1.375" SHAFT	\$90.00
11	BAC-11-175	COLLAR FOR BAC-10-20SP, 1.75" SHAFT	\$105.00
12	BAC-11-1	SET SCREW	\$1.00
13	BAC-12-150	VOLUTE, 1-1/2" x 1-1/4", CAST IRON	\$180.00
14	BAC-13	IDLER ARM	\$45.00
15	BAC-14-150-MIA	FRAME FOR IDLER ARM, 150 SERIES	\$215.00
16	BAC-15	HOUSING FOR DRIVE SHAFT, PTOC	\$150.00
#	BAC-15-B	HOUSING WITH MOUNTING FEET	\$170.00
17	BAC-26-150-CI	IMPELLER, KEYWAY, CAST IRON	\$110.00
17	BAC-26-150-P	IMPELLER, KEYWAY, THERMOPLASTIC	\$55.00
18	BAC-27-150175-M	NAME PLATE (FOR PTOC-150-1000-20SP)	\$11.00
18A	BAC-27-150-600	NAME PLATE (FOR PTOC-150-600)	\$11.00
18B	BAC-27-150-M	NAME PLATE (FOR PTOC-150-1000-21SP)	\$11.00
19	BAC-28-10-150	BELT, 44", 10 GROOVE (FOR PTOC-150-600)	\$44.00
19A	BAC-28-10M-150	BELT, 36", 10 GROOVE (FOR PTOC-150-1000)	\$48.00
20	BAC-29-10-1.35	PULLEY, 1.35"PD x 5/8" BORE, 10 GROOVE	\$50.00
20A	BAC-29-10-1.5	PULLEY, 1.5"PD x 5/8" BORE, 10 GROOVE	\$50.00
21	BAC-30-10-150	PULLEY, 11.6"PD x 2" BORE, 10 GROOVE	\$180.00
21A	BAC-30-10-M-150	PULLEY, 7.9"PD x 2" BORE, 10 GROOVE	\$160.00
21B	BAC-30-175-150	PULLEY, 7.9"PD x 2.375" BORE, 10 GROOVE	\$180.00
22	BAC-31-1	BEARING, BAC-10 SHAFT	\$45.00
23	BAC-32	SNAP RING FOR BAC-6 SHAFT	\$0.50
24	BAC-32-S	SPACER FOR BAC-6 SHAFT	\$4.00
25	BAC-33	SNAP RING, INTERNAL, BAC-14 FRAME	\$3.00
26	BAC-34	SNAP RING, INTERNAL, BAC-15 HOUSING	\$3.00
27	BAC-35	SNAP RING, EXTERNAL, BAC-10 SHAFT	\$1.00
28	BAC-36	SNAP RING, EXTERNAL, BAC-13 IDLER	\$2.00
29	BAC-37	BEARING, BAC-6 DRIVEN SHAFT	\$18.00
30	BAC-38-1	SPACER FOR BAC-10 DRIVE SHAFT. L=1.5"	\$15.00
31	40930	CAP SCREW, 3/8" NC x 3/4" HEX, SS	\$2.50
31	40950	CAP SCREW, 3/8" NC x 3/4" HEX, BAC-39	\$0.50
32	BAC-40	SET SCREW, 3/8" NC SLOTTED	\$0.50
33	40960	NUT, 3/8" NC JAM TYPE	\$0.50
34	BAC-42	CAP SCREW, HEX HD 3/8"-16 X 2" GRADE 5	\$1.50
35	BAC-43	WASHER, 5/16" FLAT	\$0.30
36	BAC-44	3/8" LOCK WASHER	\$0.50
37	BAC-45	NUT, 3/8" NC HEX	\$0.25
38	BAC-46	SPACER, 5/8"	\$8.00
39	BAC-47	CAP SCREW, 5/8" NC x 2-1/8" HEX HEAD	\$3.50
40	BAC-49	RETAINER RING	\$0.50
41	BAC-50	KEY, 3/16" x 3/16" x 1-1/4", FOR PULLEY	\$1.25
42	BAC-51	KEY, 3/8" x 1/2" x 1-1/2", PTO DRIVE SHA	\$4.00
44	BAC-53	PIPE PLUG, 1/8" NPT, SQUARE HEAD	\$0.50
44	41120	PIPE PLUG, 1/8" NPT, HEX HEAD, SS	\$4.00
45	BAC-54	SLINGER, 1" OD X 9/16" ID X 1/8" THK	\$1.50
46	BAC-55	IDLER BEARING AND ROLLER ASSEMBLY	\$38.00
47	BAC-57	SET SCREW, 5/16" NC x 5/16" ALLEN HEAD,	\$0.60
48	41250	CAP SCREW, 5/16" NC x 3-1/4" HEX HEAD	\$2.00
49	BAC-63	NUT, 5/16" NC SELF-LOCKING	\$0.60
50	41300	SET SCREW, 3/8" NC x 5/8" ALLEN HEAD	\$0.75
52	BAC-81-QC	COLLAR, BALL RETAINER SLEEVE FOR QC	\$25.00
53	BAC-82-QC	SPRING FOR QUICK COUPLER	\$10.50
54	BAC-83-QC	BALL FOR QUICK COUPLER	\$1.50
55	BAC-23-A	NUT, 3/8" NF HEX, CAD PLATED LOCKNUT	\$2.00
56	BAC-24-HYD-SS	WASHER, 3/8", SS	\$1.50
57	BACH-25	KEY FOR IMPELLER, 1/8" x 1/8" x 7/16" SS	\$1.00
#	40160	O-RING FOR 5/8" SHAFT SEAL	\$0.50
#	BAC-52	1/4" COLD SHUT, TORQUE CHAIN ANCHOR	\$2.00
#	BAC-58	ZERK FITTING, 1/4" NPT, FOR IDLER ARM	\$2.50
#	BGKB-150	BELT GUARD KIT	\$89.70



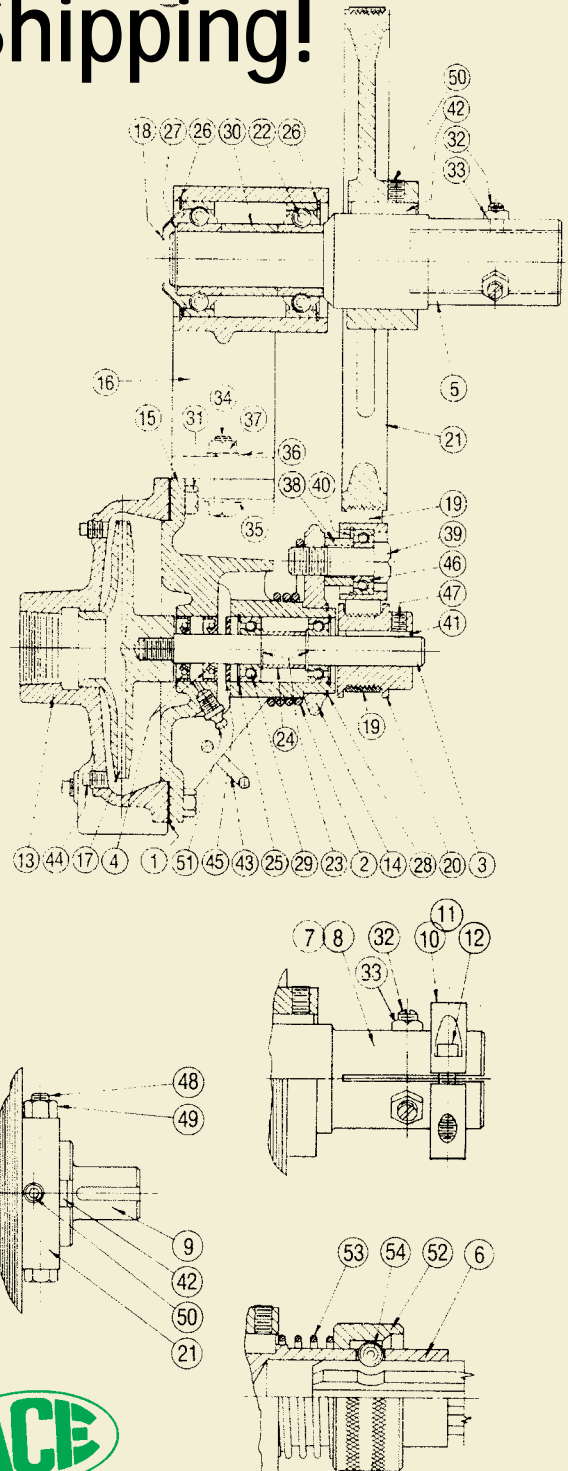
ACE PUMP PARTS

STANDARD BELT DRIVE



Ref #	PART NO.	DESCRIPTION	REQ.	PRICE
1	#BAC-4	Gasket, 4 hole	1	\$ 2.50
2	BAC-5	Idler torsion spring	1	18.00
3	BAC-6	Only available in SS Below		N/A
3	BAC-6-SS	5/8" Driven shaft, S.S.	1	60.00
4	BAC--7B	Buna Seal (optional)	1	40.00
4	BAC-7V	Viton mechanicalseal	1	37.00
4	40160	"O" Ring for shaft	1	.50
5	BAC-10-6SP	shaft 600-10-6SP	1	185.00
6	BAC-10-6SP-QC	shaftQ/C 540	1	190.00
7	BAC-10-21SP	1 3/8" 21 drive shaft	1	220.00
8	BAC-10-175-20SP	1 3/4" 20 Tooth shaft	1	235.00
9	BAC-10-S	1" Tumblerod shaft	1	171.00
10	BAC-11	Split ring, locking collar	1	90.00
11	BAC-11-175	Split ring, locking collar	1	105.00
12	BAC-11-1	Set screw	1	1.00
13	BAC-12	1 1/4" x 1" Volute	1	145.00
14	BAC-13	Idler arm	1	45.00
15	BAC-14-MIA	Mounting frame, MIA	1	175.00
16	BAC-15	PTO Drive housing	1	150.00
--	BAC-15-A-6SP	PTO Drive housing assembly 6 spline	1	590.00
--	BAC-15-A-M	PTO Drive assembly	1	605.00
--	BAC-15-A-175	PTO Drive housing assembly	1	640.00
--	BAC-15-B	Bearing housing w/mounting base (B)	1	170.00
17	BAC-26-VALOX	Impeller, Valox	1	55.00
17	BAC-26-CI	Impeller, cast iron	1	110.00
18	BAC-27-P-10	Name plate (600-10)	1	11.00
18	BAC-27-M-10	Name plate (21SP)	1	11.00
18	BAC-27-175	Name plate (20SP)	1	11.00
19	BAC-28-8	Poly-V belt, 8 groove	1	48.00
19	BAC-28-8-M	Poly-V belt, 8 groove	1	48.00
19	BAC-28-10	Poly-V belt, 10 groove	1	35.00
19	BAC-28-10-M	Poly-V belt, 10 groove	1	35.00
20	BAC-29-10	1.7" P.D. x 5/8" Poly-V pulley	1	50.00
21	BAC-30-10	10.6" P.D. x 2" Poly-V pulley	1	165.00
21	BAC-30-10-M	6.375" P.D. x 2" Poly-V pulley	1	145.00
21	BAC-30-175	6.375" P.D. x 2 3/8" Poly-V pulley	1	165.00
22	BAC-31	Sealed ball bearing	2	45.00
23	BAC-32	External snap ring	2	.50
24	BAC-32-S	Spacer for BAC-6	1	4.00
25	BAC-33	Internal snap ring	2	2.50
26	BAC-34	Internal snap ring	2	3.00
27	BAC-35	External snap ring	1	1.00
28	BAC-36	External snap ring	1	2.50
29	BAC-37	Sealed ball bearing	2	18.00
30	BAC-38	Bearing spacer, drive shaft	1	15.00
31	40950	Hex head cap screw	4	.50
31	40930	Hex head cap screw S.S.	4	2.50
32	BAC-40	3/8" N.C. Slotted set screw	6	.50
33	40960	3/8" N.C. Jam nut	6	.50
34	BAC-42	Hex head cap screw	2	2.00
35	40980	3/8" Flat washer	2	.50
36	BAC-44	3/8" Lock washer	2	.50
37	BAC-45	3/8" N.C. Hex nut	2	1.25
38	BAC-46	5/8" Spacer	1	8.00
39	BAC-47	Hex head idler cap screw	1	3.50
40	BAC-49	Retainer ring	1	.50
41	BAC-50	Key, driven shaft	1	1.25
42	BAC-51	Key PTO drive shaft	1	4.00
43	BAC-52	Torque chain anchor	1	2.00
44	41110	1/8" NPT Pipe plug	3	.50
44	41120	1/8" NPT Pipe plug, S.S.	3	4.00
45	BAC-54	Slinger	1	1.50
46	BAC-55	Idler bearing and assembly	1	38.00
--	BAC-55-A	Idler arm and outer assembly	1	95.00
47	BAC-57	Allen head set screw	2	.60
-	BAC-58	Zerk fitting	1	2.50
48	41250	Cap screw (for PTOC-600-10B)	1	2.00
49	BAC-63	Locking nut (for PTOC-600-10B)	1	.60
50	41300	Allen head set screw	2	.75
52	BAC-81-QC	Ball retainer sleeve poly	1	25.00
52	BAC-81-QC-S	Ball retainer sleeve, steel	1	N/A
53	BAC-82-QC	Spring for quick coupler	1	10.00
54	BAC-83-QC	Ball for quick coupler	3	1.50

Same Day Shipping!

* Items included in repair kit for Models PTOC-600-10-6SP, PTOC-600-10-QC and PTOC-600-10B.

Items included in repair kit for Models PTOC-1000-10-21SP and PTOC-1000-175-20SP - Not shown on cross section drawing