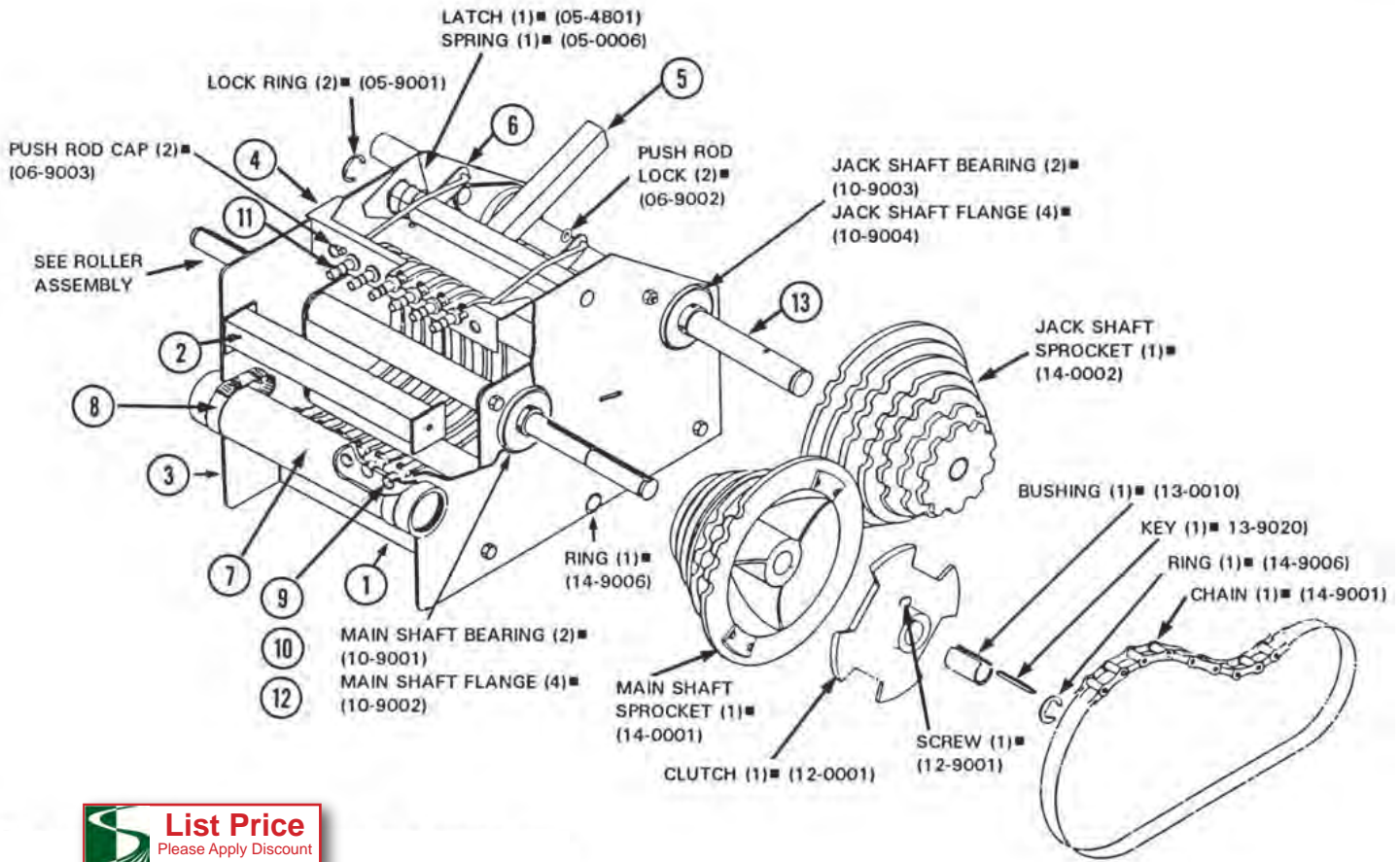




Standard Squeeze Tube Pump Replacement Parts



List Price
Please Apply Discount

Item#	Description	24B-1		16L		16B-1		12L		12B-1		8L		8B-1	
		Part#	Price	Part#	Price	Part#	Price	Part#	Price	Part#	Price	Part#	Price	Part#	Price
1	Base Channel (2)	01-2410	\$36.64	01-1620	\$36.17	01-1610	\$29.38	01-1220	\$33.99	01-0820	\$24.67	01-0820	\$24.67	01-0810	\$23.10
2	Frame End Support	02-2410	\$51.47	02-1620	\$53.70	02-1610	\$40.27	02-1220	\$55.27	02-0820	\$39.70	02-0820	\$39.70	02-0810	\$43.92
3	Frame End Plate (2)	03-2410	\$70.28	03-2410	\$70.28	03-1610	\$70.28	03-2410	\$70.28	03-1610	\$70.28	03-1610	\$40.27	03-1610	\$70.28
4	Outlet Fitting Rack	04-2410	\$65.37	04-1620	\$64.18	04-1610	\$57.99	04-1220	\$59.87	04-1210	\$53.04	04-0820	\$51.70	04-0810	\$50.69
5	Tube Tension Rack	05-2410	\$67.51	05-1620	\$80.73	05-1610	\$62.69	05-1220	\$101.71	05-1210	\$105.78	05-0820	\$59.45	05-0810	\$80.07
6	Push Rod (2)	06-0011	\$46.14	06-0021	\$33.82	06-0011	\$46.14	06-0021	\$33.82	06-0011	\$46.14	06-0021	\$33.82	06-0011	\$46.14
7	Supply Manifold	07-2410	\$140.45	07-1620	\$136.08	07-1610	\$98.48	07-1220	\$118.09	07-1210	\$101.90	07-0820	\$103.75	07-0810	\$92.33
8	Manifold Clamp (2)	07-9002	\$6.53	07-9002	\$6.53	07-9001	\$6.07	07-9002	\$6.53	07-9001	\$6.07	07-9001	\$6.07	07-9001	\$6.07
9	Squeeze Tube*	08-0010	\$11.27	08-0020	\$17.66	08-0010	\$11.27	08-0020	\$17.66	08-0010	\$11.27	08-0020	\$17.66	08-0010	\$11.27
10	Inlet Fitting*Plastic	n/a		08-0021	\$5.07	n/a		08-0021	\$5.07	n/a		08-0021	\$5.07	n/a	
	Inlet Fitting*S.S.	08-0015	\$22.48	n/a		08-0015	\$22.48	n/a		08-0015	\$22.48	n/a		08-0015	\$22.48
11	Outlet Fitting*Plastic	n/a		08-0022	\$5.45	n/a		08-0022	\$5.45	n/a		08-0022	\$5.45	n/a	
	Outlet Fitting*S.S.	08-0013	\$21.53	n/a		08-0013	\$21.53	n/a		08-0013	\$21.53	n/a		08-0013	\$21.53
12	S.S. Screw Clamps*	08-9003	NA	08-9004	\$3.37	08-9003	NA	08-9004	\$3.37	08-9003	NA	08-9004	\$3.37	08-9003	NA
13	Jack Shaft	10-2411	\$72.75	10-1621	\$71.69	10-1611	\$58.49	10-1221	\$66.79	10-0821	\$55.59	10-0821	\$55.59	10-0811	\$53.38
	Manifold Plug*	08-9001	\$2.81	08-9002	\$2.81	08-9001	\$2.81	08-9002	\$2.81	08-9001	\$2.81	08-9002	\$2.81	08-9001	\$2.81

* Requirements based on number of outlets



LM-2450 Series

Replacement Parts

Item	Qty	Part#	Description	Price
1	2	92037	5/8" Jam Nut	\$1.39
2	1	A-70	Shifter Yoke	\$55.03
3	1	92014	#10 Square Nut	\$.42
4	2	A-697	Washer	\$.40
5	2	A-2762	Cam Roller	\$14.48
6	1	A-2763	Roll Pin	\$2.45
7	1	90953	2 1/4 Rd Hd Screw	\$.60
8	1	A-2761	Shifter Rod	\$46.88
9	5	90655	3/8 x 1 1/2 Hex Bolt	\$1.06
10	1	F-48	Throw-Out Lever Spring	\$9.96
11	1	94010	5/32 x 1 Cotter Pin	\$.42
12	1	A-2756	Throw-Out Lever	\$171.76
13	1	A-2760	Spring Clip	\$7.70
14	11	92024	3/8 Hex Nut	\$.23
*14	2	T-2010	3/8 Nut, SS	NA
15	1	A-2758-A	Pawl	\$22.07
16	1	A-2757-A	Throw-Out Cam	\$38.74
17	1	A-37-R	Torsion Spring (R.H.)	\$74.51
18	1	A-50	Handwheel	\$28.22
19	1	HA-50	Safety Clutch Spring	NA
19A	1	108907-01	Safety Clutch Spring	\$13.03
20	0	A-260	Clutch	\$103.02
20A	1	108905-91	Clutch	\$158.93
21	0	H-28	Grease Fitting (DR. Type.)	\$1.91
22	5	L-4249	Drive Pin	\$1.53
23	1	105373-01	Clutch Collar	\$23.49
24	1	A-116	Ollite Bushing	\$13.49
25	2	L-4008-A	Carrier	\$122.78
25A	1	108906-01	Carrier	\$108.31
26	0	L-4006	16T Sprocket	\$65.60
27	1	90993	1/4 x 1 1/2 Socket HD Blt	\$2.48
27A	3	90637	5/16 x 1 Hex Bolt	\$.58
28	4	L-4009	Retaining	\$60.02
29	1	L-4004	16 T Sprocket Assembly	\$314.70
*30	1	110155-01	Washer	\$4.35
*31	1	L-1018	Oil Seal	\$9.67
32	1	L-1017	Crankshaft Bearing	\$52.17
33	2	L-1016	Bearing Spacer	\$36.55
34	1	111958-01	Name Plate	NA
35	1	90634	5/16 x 1/2 Hex Bolt	\$.66
36	3	A-2759	Spring Clip (Lower)	\$8.66
37	1	L-1001-A	Crankcase	\$603.45
38	1	S-350	Vent Plug	\$8.26
39	1	L-1008-B	Connecting Rod	\$224.81
40	1	L-928	Bearing	\$28.89
41	1	L-1013-A	Eccentric, Large	\$68.22
42	1	L-1015	Eccentric, Small	\$48.44
*43	1	113588-01	Bearing	\$3.91
44	1	L-3004	Eccentric Pin	\$7.40
45	1	L-1089	Stroke Locating Sleeve	\$146.81
46	2	L-1020	Setting Arm Key	\$2.78
47	1	108093-01	Key, Woodruff	\$12.85
*48	1	L-1006	Gasket Cover Plate	\$6.49
49	1	L-1004-A	Cover Plate	\$78.92
50	1	91017	3/8 x 1 3/4 Sq. Head Bolt	\$2.80
51	4	90636	5/16 x 3/4 Hex Bolt	\$.40
52	1	L-1002	Pump Setting Scale	\$15.54
53	1	A-3097	3/8 Self Locking Nut	\$.77

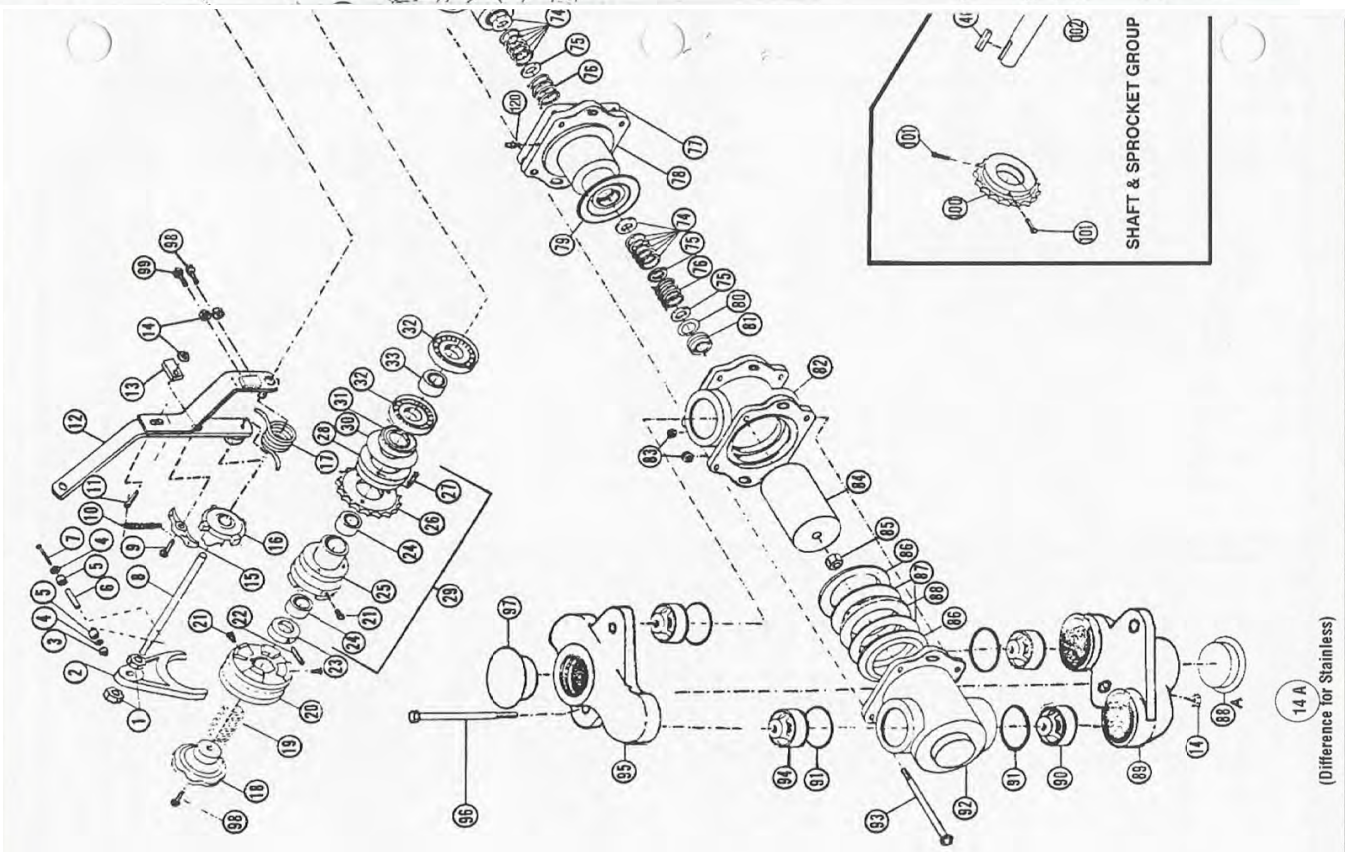
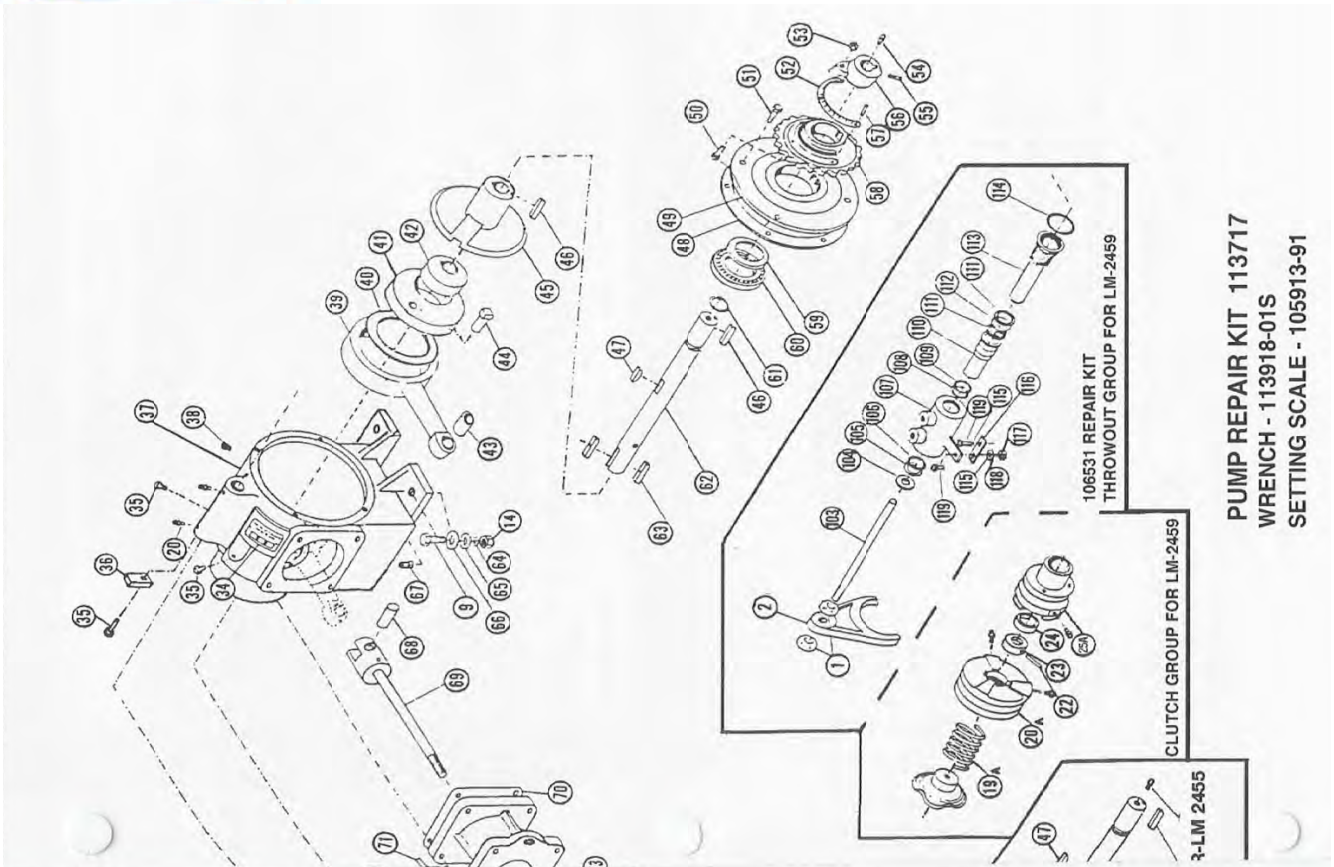
Item	Qty	Part#	Description	Price
54	1	H-30	Grease Fitting (Thread)	\$2.50
55	3	90532	5/16 x 3/8 Set Screw	\$1.64
56	1	105933-91	Stroke Setting Arm	\$64.65
57	3	A-368	Setting Scale Screw	\$.40
58	1	105932-91	Stroke Setting Flange	\$96.60
*59	1	L-1021	Oil Seal	\$9.09
60	1	L-1007-A	Crankshaft Bearing	\$63.36
*61	1	L-1022	Crankshaft O-Ring	\$1.02
62	1	L-1019	Crankshaft	\$202.22
63	2	A-261	Square Key	\$16.39
64	4	93024	3/8 Lock Washer	\$.23
65	4	93011	3/8 Flat Washer	\$.21
66	4	A-147	Pump Mounting Pad	\$1.55
67	3	C-431-B	1/4" Plug	NA
68	1	105895-01	Crosshead Pin	\$11.17
69	1	105926-91	Piston Rod Assembly	\$218.86
*70	1	L-1038	Crosshead Gde. Gasket	\$4.24
71	4	90637	5/16 x 1 Hex Bolt	\$.58
72	2	90692	1/2 x 2 Hex Bolt	\$1.83
*72	2	90693	1/2 x 2 Bolt, SS	\$5.18
73	1	L-1000	Crosshead Guide	\$182.25
*74	2	L-1109	Rod Vee Packing Set	\$27.14
75	3	L-1041	Washer, Packing	\$3.22
76	2	L-1063	Spring, Packing	\$3.29
*77	1	L-1030	Gasket Stuffing Box	\$4.70
78	1	L-1031-1	Outboard Stuffing Box	\$141.09
*78	1	L-1031-1S	Outboard Stuffing Box, SS	\$237.47
*79	1	L-1023	Gasket	\$3.91
80	1	L-1042	Retaining Ring	\$12.29
81	1	L-1031-2	Stuffing Box Insert	\$24.23
82	1	113650-01	Cylinder, Inboard	\$155.05
*82	1	113650-01S	Cylinder, Inboard, SS	\$267.24
83	4	92029	1/2 Hex Nut	\$.77
*83	4	92030	1/2 Nut, SS	\$1.51
84	1	103290-91	Piston Plunger Assembly	\$188.41
85	1	L-1047	Self-Locking Nut	\$6.05
*86	2	L-1045-V	Packing Plunger	\$29.76
*87	2	L-1098	Gasket, Flange Packing	\$1.64
88	1	L-1044-A	Washer, Flange Packing	\$9.36
88A	1	L-3115	1 1/2 Plastic Plug	\$1.58
89	1	113649-01	Suction Manifold	\$125.39
*89	1	113651-01S	Suction Manifold, SS	\$398.35
90	2	106489-92	Valve, Suction	\$66.87
91	4	L-3031	O-Ring Valve	\$4.35
92	1	113651-01	Outboard Cylinder	\$232.79
*92	1	113651-01S	Outboard Cylinder SS	\$398.35
93	2	90689	1/2 x 1 1/2 Hex Head Bolt	\$1.54
*93	2	90687	1/2 x 1 1/2 Bolt, SS	\$3.69
94	2	106490-92	Discharge Valve	\$68.78
95	1	113648-01	Discharge Manifold	\$222.98
*95	1	113648-01S	Discharge Manifold, SS	\$411.04
96	2	90672	3/8 x 7 1/2 HHMB	\$5.79
*96	2	91071	3/8 x 6 Bolt, SS	\$7.51
97	1	C-3518	1" Thread Protector	NA
98	2	90653	3/8 x 1 1/4 HHMB	\$.96
99	1	90657	3/8 x 2 HHMB	\$1.00
100	1	113685-01	16T Sprocket	\$73.55
120	1	114652-01	45° Grease Fitting	NA





LM-2450 Series

Replacement Parts





NGP-6050 & 7050 Series

Piston Replacement Parts

Item	Description	NGP-6050		NGP-7050	
		Part#	Price	Part#	Price
1	Key	L-1020	\$2.78	L-1020	\$2.78
2	Sprocket RC50-18T	112661-01	\$32.14	112661-01	\$32.14
3	5/16 x 3/8 Set Screw	90532	\$1.64	90532	\$1.64
4	Grease Fitting	H-28	\$1.91	H-28	\$1.91
5	1/4 x 3/8 Set Screw	90530	\$2.25	90530	\$2.25
6	Sprocket Spacer	115625-01	\$52.96	115625-01	\$52.96
7	O-Ring	S-316	\$2.29	S-316	\$2.29
8	Thrust Washer	115626-01	\$4.18	115626-01	\$4.18
9	5/16 x 1 Hex Bolt	90637	\$5.58	90637	\$5.58
10	Oil Seal	115621-01	\$9.63	115621-01	\$9.63
11	Cover Plate	115723-01	\$79.24	115623-01	\$79.24
12	Bearing	L-3019	\$104.62	L-3019	\$104.62
13	Connecting Rod	L-1008-A	\$226.28	113630-01	NA
14	Journal Bearing	L-928	\$28.89	113629-01	\$49.21
15	Rod Bushing	113588-01	\$3.91	113588-01	\$3.91
16	Rod Pin	105895-01	\$11.17	105895-01	\$11.17
17	Eccentric - Outer	L-1013-A	\$68.22	113633-01	\$170.23
18	Eccentric - Inner	L-1015	\$48.44	L-3017	\$69.89
19	Transfer Sleeve	NOT USED		NOT USED	
20	Piston Rod Assembly	115712-91	\$187.39	105900-91	\$166.40
21	Eccentric Pin	L-3004	\$7.40	L-3004	\$7.40
22	Woodruff Key	108093-01	\$12.85	A-4333	\$5.62
23	Crankshaft	115614-01	\$116.50	115614-01	\$116.50
24	O-Ring	L-1022	\$1.02	L-1022	\$1.02
25	Grease Zerk	115647-01	\$3.16	115647-01	\$3.16
26	Setting Sleeve	115718-01	\$130.14	115618-01	\$155.22
27	Bearing	L-1007-A	\$63.36	L-1007-A	\$63.36
28	Gasket	L-1006	\$6.49	L-3002	\$4.60
29	Vent Plug	S-350	\$8.26	S-350	\$8.26
30	Name Plate	111958-01	NA	111958-01	NA
31	Drive Screw	A-3557	\$1.19	A-3557	\$1.19
32	Oil Plug	C-431-B	NA	C-431-B	NA
33	Flange Cover	115724-01	\$65.41	115724-01	\$65.41
34	5/16 x 1 Hex Bolt	90637	\$5.58	90637	\$5.58
35	Setting Hub	115627-01	\$92.37	115627-01	\$92.37
36	Setting Scale Screw	A-368	\$4.40	A-368	\$4.40
37	Snap ring	115791-01	\$4.10	115791-01	\$4.10
38	3/8 Self-Locking Nut	A-3097	\$7.77	A-3097	\$7.77
39	Setting Pointer	115628-01	\$56.20	115628-01	\$56.20
40	Setting Scale	115645-01	\$6.90	115645-01	\$6.90
41	3/8 x 2 Carriage Bolt	115646-01	\$3.16	115646-01	\$3.16
42	Oil Seal	115622-01	\$9.09	115622-01	\$9.09
43	Crankcase	115720-01	\$517.88	115620-01	\$612.17
44	Gasket - Crosshead	115711-01	\$3.39	115611-01	\$3.16
45	1/2 Hex Nut	92029	\$7.77	92029	\$7.77
46	Not Used				
47	Hex Bolt	90637	\$5.58	90860	\$5.58
48	Crosshead Guide	115700-01	\$149.80	115600-01	\$145.37
49	Gasket - Stuffing Box	115610-01	\$3.95	115610-01	\$3.95
50	O-Ring	111943-01	\$1.58	104828-01	\$1.58
51	Packing V/Set	L-1109	\$27.14	L-1109	\$27.14
52	Packing Washer	L-1041	\$3.22	L-1041	\$3.22
53	Packing Spring	L-1063	\$3.29	L-1063	\$3.29

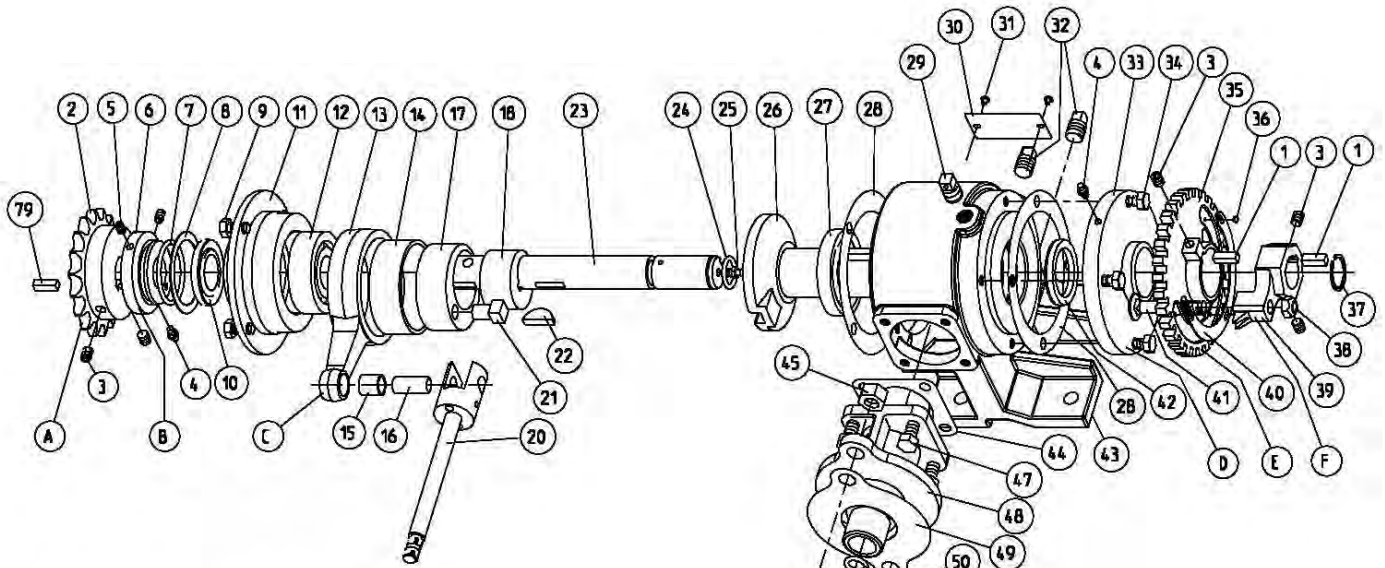
Item	Description	NGP-6050		NGP-7050	
		Part#	Price	Part#	Price
54	Grease Zerk	H-30	\$2.50	H-30	\$2.50
55	Stuffing Box	115790-01	\$138.82	115790-01	\$138.82
55-S	Stuffing Box S.S.	115790-01S	\$250.09	115790-01S	\$250.09
56	Gasket-Inboard Cyl.	115710-01	\$3.52	115710-01	\$3.52
56-U	Gasket-Fumigant	104826-02	\$33.70	104826-02	\$33.70
57	Stuffing Box Insert	L-1031-2	\$24.23	L-1031-2	\$24.23
57-S	Stuffing Box Inset S.S.	NOT USED		NOT USED	
58	Packing - Snap Ring	L-1042	\$12.29	L-1042	\$12.29
59	O-Ring	S-316	\$2.29	115604-01	\$8.55
59-S	O-Ring Stainless	104824-01	\$10.94	115612-01	\$8.78
59-U	O-Ring Fumigant	104824-01	\$10.94	115612-01	\$8.78
60	O-Ring	L-3031	\$4.35	A-2848	\$3.04
60-S	O-Ring Stainless	114768-01	\$15.66	114870-01	\$9.48
60-U	O-Ring Fumigant	114768-01	\$15.66	114870-01	\$9.48
61	Discharge Valve	115707-91	\$63.52	115607-91	\$112.08
62	Suction Valve	115706-91	\$61.14	115606-91	\$111.79
63	Inboard Cylinder	115701-02	\$283.50	115601-02	\$328.83
63-S	Inboard Cylinder S.S.	115701-02S	\$636.33	115601-02S	\$672.97
64	3/8 Lock Washer	93024	\$2.23	93024	\$2.23
64-S	3/8 Lock Washer S.S.	93025	\$5.51	93025	\$5.51
65	3/8 Hex Nut	92024	\$2.23	92024	\$2.23
66	Plunger-Packing	L-1045-V	\$29.76	L-1045-V	\$29.76
66-B	Plunger-Packing Buna	L-1045-A	\$31.49	L-1045-A	\$31.49
67	Plunger-Gasket	L-1098	\$1.64	L-1098	\$1.64
67-U	Plunger-Gasket-Fumigant	114769-01	\$17.58	114769-01	\$17.58
68	Plunger - Washer	L-1044-A	\$9.36	L-1044-A	\$9.36
69	Plunger	103290-91	\$188.41	112816-91	\$204.90
70	Plunger-Locking Nut	L-1047	\$6.05	L-1047	\$6.05
71	Valve Cover	115703-01	\$132.52	115603-01	\$152.63
71-S	Valve Cover, S.S.	115703-01S	\$289.30	115603-01S	\$377.56
72	1/2 Flat Washer	NOT USED		NOT USED	
73	3/8 x 1 1/2 Hex Bolt	90911	\$7.74	90911	\$7.74
73-S	3/8 x 1 1/2 Hex Bolt SS	90654	\$2.48	90654	\$2.48
74	Outboard Cylinder	115702-01	\$215.88	115602-01	\$208.12
74-S	Outboard Cylinder S.S.	115702-01S	\$448.63	115602-01S	\$448.63
75	1/2 Hex Bolt	90704	\$4.29	90705	\$3.50
75-S	1/2 Hex Bolt S.S.	90693	\$5.18	90693	\$5.18
76	Gasket-Manifold	NOT USED		NOT USED	
77	Manifold - Common	NOT USED		NOT USED	
78	1/2 Hex Bolt	NOT USED		NOT USED	
79	Sprocket Key	106493-01	\$4.82	106493-01	\$4.82
A	Sprocket Assy-RC5018T	106532-01	\$92.83	106532-01	\$92.83
B	Sprocket Spacer Assy	115624-91	\$65.07	115624-91	\$65.07
C	Connecting Rod Assy	L-1008-B	\$224.81	113645-91	\$199.16
D	Flange Cover Assy	115725-91	\$60.19	115725-91	\$60.19
E	Setting Hub Assy	115629-91	\$113.23	115629-91	\$113.23
F	Setting Pointer Assy	115630-91	\$64.65	115630-91	\$64.65
G	Gasket Kit	115788	\$148.15	115688	\$177.76
G-S	Gasket Kit-Stainless	115788-S	\$173.91	115688-S	\$184.69
G-U	Gasket Kit-Fumigant	115788-U	\$439.07	115688-U	\$290.07
H	Operators Kit	115787	\$108.37	115787	\$108.37
N/S	Slide Chart	115698-91	\$37.87	115698-91	\$37.87
N/S	Setting Wrench	115631-01	\$46.07	115631-01	\$46.07



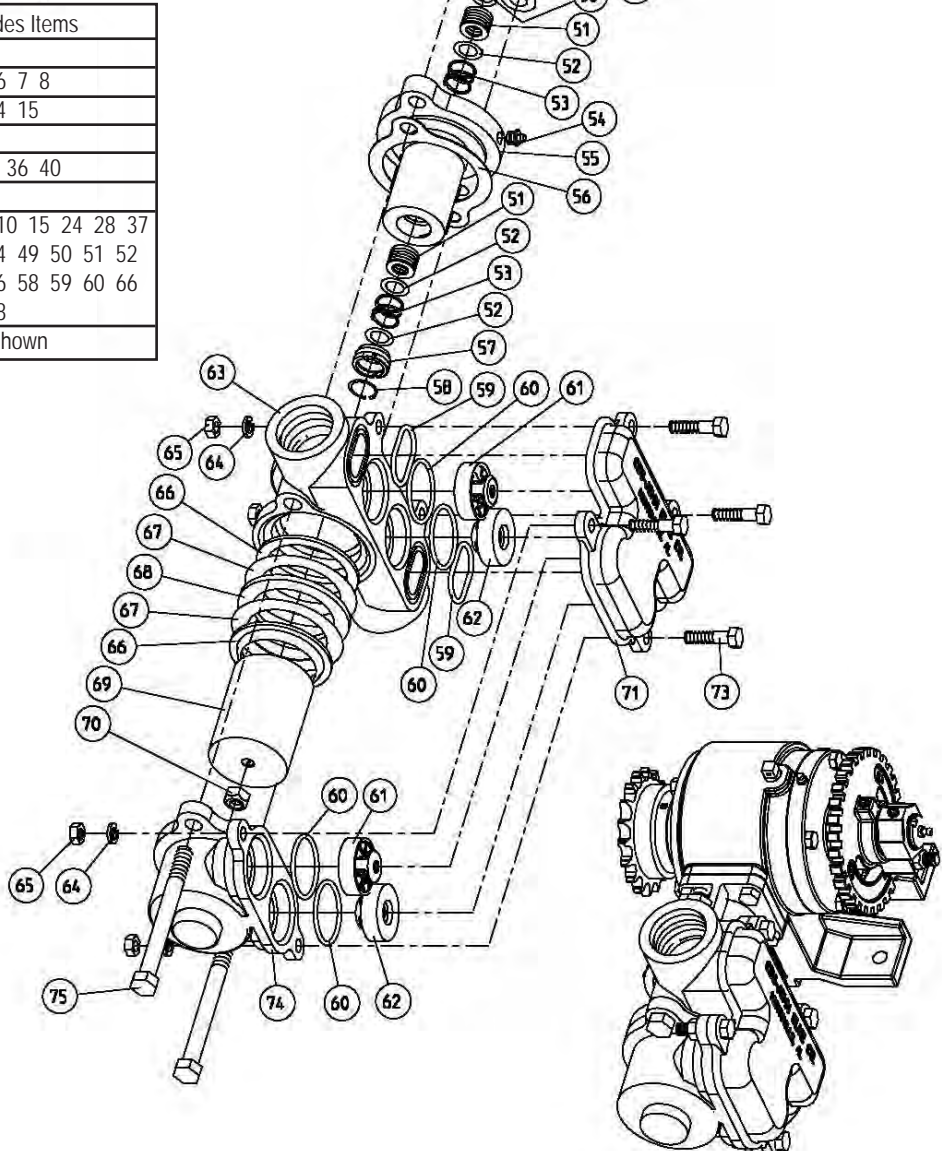


NGP-6050 & 7050 Series

Piston Replacement Parts



Item	Description	Includes Items
A	Sprocket	2 3
B	Spacer	4 5 6 7 8
C	Connecting Rod	13 14 15
D	Flange Cover	4 33
E	Setting Hub	3 35 36 40
F	Setting Pointer	3 39
G	Gasket Kit	7 8 10 15 24 28 37 42 44 49 50 51 52 53 56 58 59 60 66 67 68
H	Operators Kit	Not Shown

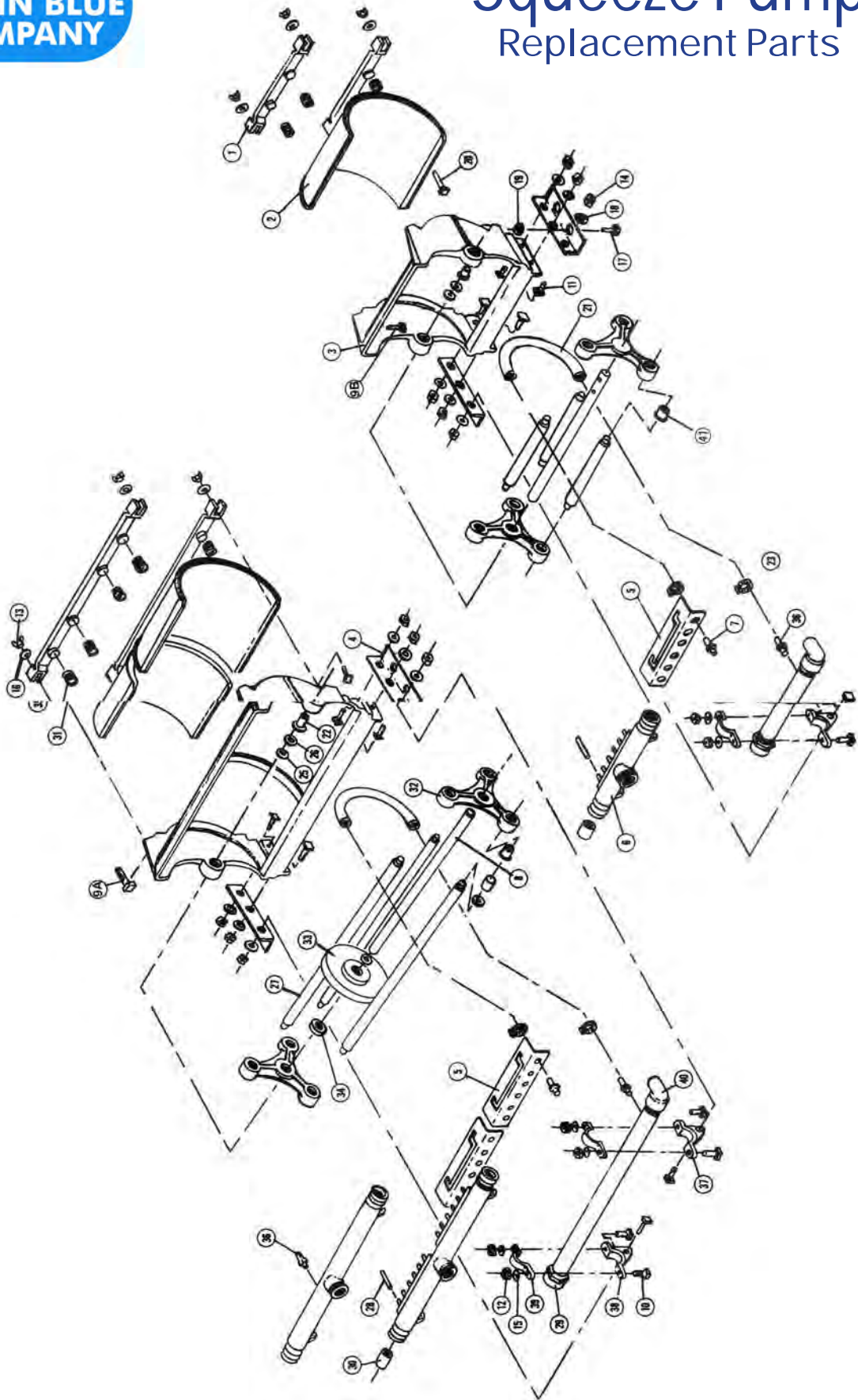


No.	Part#	Description	Price	L-6-C	L-8-C	L-8-LC	L-12-C	L-16-C	L-6-P	L-8-SP	L-8-P	L-12-P	L-12-SC	L-12-SP
1	108045-01	Spring Anchor Bar	\$27.44	4	4									
1	108499-01	Spring Anchor Bar	\$37.85			2	2	2			2	2	2	2
2	108044-01	Back Plate	\$164.01	1	1	2	2	2	1	1	2	2	2	2
3	108042-91	Frame	\$350.04	1	1				1	1				
3	108498-91	Frame	\$522.87			1	1	1			1	1	1	1
4	L-1259	Base Angle	\$16.99	2	2				2	2				
4	L-1275-L	Base Angle	\$21.22	1			1	1			1	1	1	1
4	L-1275-R	Base Angle	\$21.22	1			1	1			1	1	1	1
5	114372-01	Discharge Manifold Bracket	\$27.98										2	2
5	114369-01	Discharge Manifold Bracket	\$36.07	1			2		1			2		
5	L-1320-01	Discharge Manifold Bracket	\$15.53		1			2		1				
5	113430-01	Discharge Manifold Bracket	\$34.01			2					2			
6	L-1254-A	Intake Manifold	\$113.48	1										
6	L-1267	Intake Manifold	\$190.35			1								
6	L-1273-A	Intake Manifold	\$281.75					1						
6	L-1313-A	Intake Manifold	\$212.78				1							
6	L-1315-A	Intake Manifold	\$136.23		1									
6	113434-01	Intake Manifold	\$223.56									1		
6	113428-01	Intake Manifold	\$131.98								1			
6	113573-01	Intake Manifold	\$123.68							1				
6	113600-01	Intake Manifold	\$122.68						1					
6	114171-01	Intake Manifold	\$230.51											1
6	111045	Intake Manifold	\$223.17										1	
7	114368-01	Hose Coupling	\$5.91	6		8	12		6		8	12		
7	114370-01	Hose Couplings	\$5.91		8			16		8			12	12
8	L-1253	Drive Shaft	\$103.02	1	1				1	1				
8	L-1321	Drive Shaft	\$100.61	1			1	1			1	1	1	1
9	90054	5/16-18 NC x 1 3/4 Sq HD MB	\$1.45	4	4	4	2	2	4	4	4	2	2	4
9	90578	5/16-18 NC x 1 Carriage Bolt	\$1.30	2	2	4	4	4	2	2	4	4	4	4
10	90620	1/4 x 20 x 1 Plated	\$.60						4	4	4	4		4
11	90651	3/8 x 16 x 1 Plated	\$.98	6	6	6	6	6	6	6	6	6	6	6
12	92015	1/4-20 Hex Nut	\$.27						4	4	4	4		4
13	92023	5/16-18 Wing Nut	\$1.40	6	4	8	8	8	6	4	8	8	8	8
14	92024	3/8-16 Hex Nut	\$.33	10	10	10	10	10	10	10	10	10	10	10
15	93005	1/4 Lock Washer	\$2.10						4	4	4	4		4
16	93010	5/16 Flat Washer	\$2.10	6	6	8	8	8	6	6	8	8	8	8
17	90653	3/8-16 x 1-1/4 Plated	\$1.44	4	4	4	4	4	4	4	4	4	4	4
18	93011	3/8 Flat Washer	\$2.10	8	8	8	8	8	8	8	8	8	8	8
19	93024	3/8 Lock Washer	\$2.10	4	4	4	4	4	4	4	4	4	4	4
20	90555	5/16-18 x 2 SQ HD	\$2.10				2	2				2	2	
21	87250	5/16" Hose	\$14.32		8			16		8			12	12
21	87249	1/2" Hose	\$15.00	6		8	12		6		8	12		
22	A-3656-A	Nylon Bushing Mainshaft	\$9.22	2	2	2	2	2	2	2	2	2	2	2
23	95529	Hose Clamp	\$3.52		16			32		16			24	24
23	S-5752	Hose Clamp	\$4.50	12		16	24		12		16	24		
24	A3557	#4 x 3/16 Drive Screw	\$.19	2	2	2	2	2	2	2	2	2	2	2
25	L-4627	1/32" Shim	\$4.60	2	2	4	4	4	2	2	4	4	4	4
26	L-4628	3/64" Shim	\$3.90	2	2	4	4	4	2	2	4	4	4	4
27	108096-01	Roller	\$79.87		3				3					
27	108097-01	Roller	\$83.87	3				3						
27	108507-01	Roller	\$97.49			3	3				3	3		
27	114172-01	Roller	\$101.82					3				3		3
28	L-1257	1/2" Cap	\$1.90	3		4	4		3		4	4		
28	L-1257-A	5/16" Cap	\$1.90		3			6		3			6	
29	113431-01	Manifold Cap	\$29.44						1	1	1	1		1
30	L-1266	Manifold Plug 1-1/4"	\$6.24			2	2	2			2		2	
30	L-1264	Manifold Plug 1"	\$3.94	2	2				2	2				
31	L-1261	Back Spring	\$6.60	4	4	8	4	4	4	4	8	4	4	4
31	L-4458	Back Spring	\$14.60					4				4	4	4
32	L-1463	Roller Arm Assembly	\$142.57	2	2	2	2	2	2	2	2	2	2	2
33	L-1440	Back Up Roller Assembly	\$90.15			1	1				1	1		1
33	L-4450	Back Up Roller Assembly	\$95.56										1	
34	H-12	Collar Set	\$36.11			2	2	2			2	2	2	2
35	L-4457	Bolt Spacer	\$29.85				2	2				2	2	2
36	L-4452	Hose Adaptor	\$6.60						6		8	12		
36	113571-01	Hose Coupling	\$3.10		8									12
37	113425-01	Lower Right Clamp	\$41.77						1	1	1	1		1
38	113426-01	Lower Left Clamp	\$41.77						1	1	1	1		1
39	113427-01	Manifold Clamp	\$36.92						2	2	2	2		2
40	113432-01	90° Elbow	\$29.44						1	1	1	1		1
41	L-1452	Roller Bushing (Nylon)	\$3.60	6	6	6	6	6	6	6	6	6	6	6



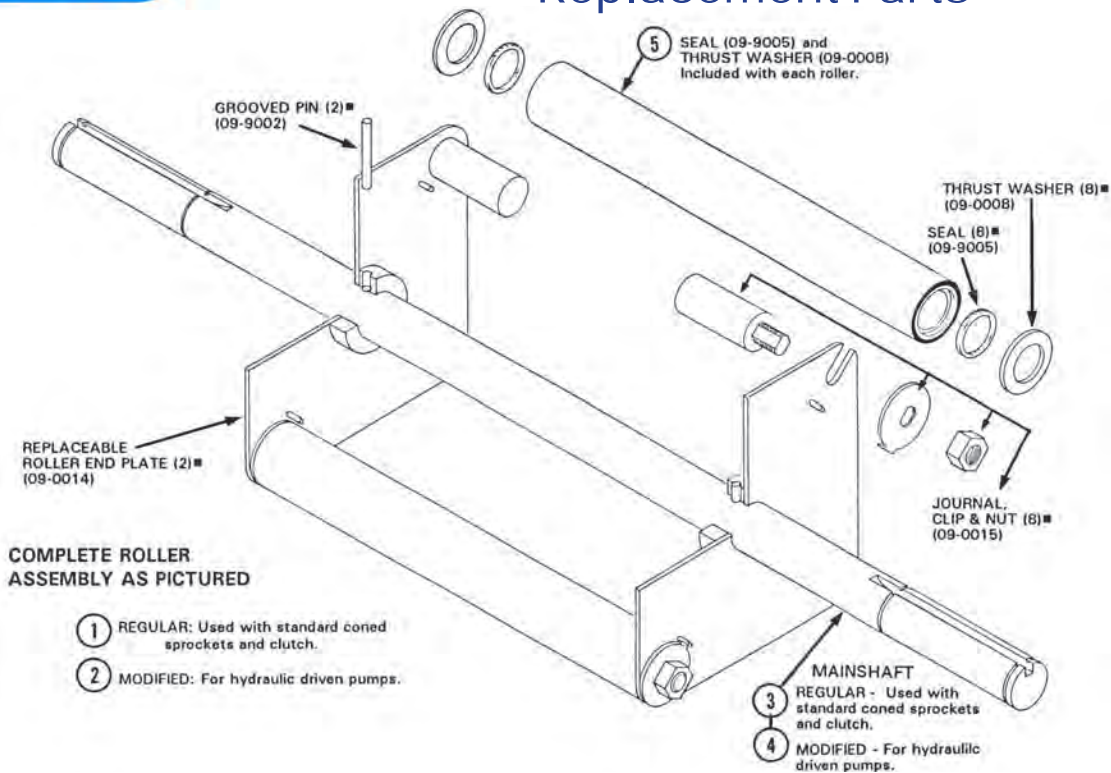
Squeeze Pump

Replacement Parts





Complete Roller Assembly Replacement Parts



Standard Squeeze Tube Pump

Item#	Description	24B-1		16L		16B-1		12L		12B-1		8L		8B-1	
		Part#	Price	Part#	Price	Part#	Price	Part#	Price	Part#	Price	Part#	Price	Part#	Price
1	Regular Roller Asb.	09-2410	\$569.08	09-1620	\$702.74	09-1610	\$538.59	09-1220	\$543.15	09-0820	\$533.09	09-0820	\$533.09	09-0810	\$509.14
2	Modified Roller Asb.	09-2412	\$583.46	09-1622	\$666.80	09-1612	\$538.59	09-1222	\$238.59	09-0822	\$525.54	09-0822	\$525.54	09-0812	\$471.74
3	Regular Mainshaft	10-2410	\$89.26	10-1620	\$87.06	10-1610	\$81.15	10-1220	\$81.81	10-0820	\$73.03	10-0820	\$73.03	10-0810	\$73.03
4	Modified Mainshaft	10-2412	\$87.54	10-1622	\$81.09	10-1612	\$79.69	10-1222	\$77.71	10-0822	\$73.47	10-0822	\$73.47	10-0812	\$67.25
5	Rollers (4)	09-2411	\$83.80	09-1621	\$122.27	09-1611	\$59.94	09-1221	\$68.23	09-0821	\$69.27	09-0821	\$69.27	09-0811	\$53.27

Double and Combination Squeeze Tube Pump

Item#	Description	24LD		32BD-1		40BD-1		48BD-1	
		Front	Price	Front	Price	Front	Price	Front	Price
1	Regular Roller Assembly	09-2423	\$553.65	09-3213	\$547.61	09-4010	\$578.01	09-4813	\$578.01
2	Modified Roller Assembly	09-2423	\$553.65	09-3213	\$547.61	09-4010	\$578.01	09-4810	\$578.01
3	Regular Mainshaft	10-2423	\$77.44	10-3212	\$77.92	10-3223	\$82.45	10-4813	\$87.26
4	Modified Mainshaft	10-2423	\$77.44	10-3212	\$77.92	10-3223	\$82.45	10-4813	\$87.26
5	Rollers (4)	09-1221	\$68.23	09-1611	\$59.94	09-1621	\$122.27	09-2411	\$83.80

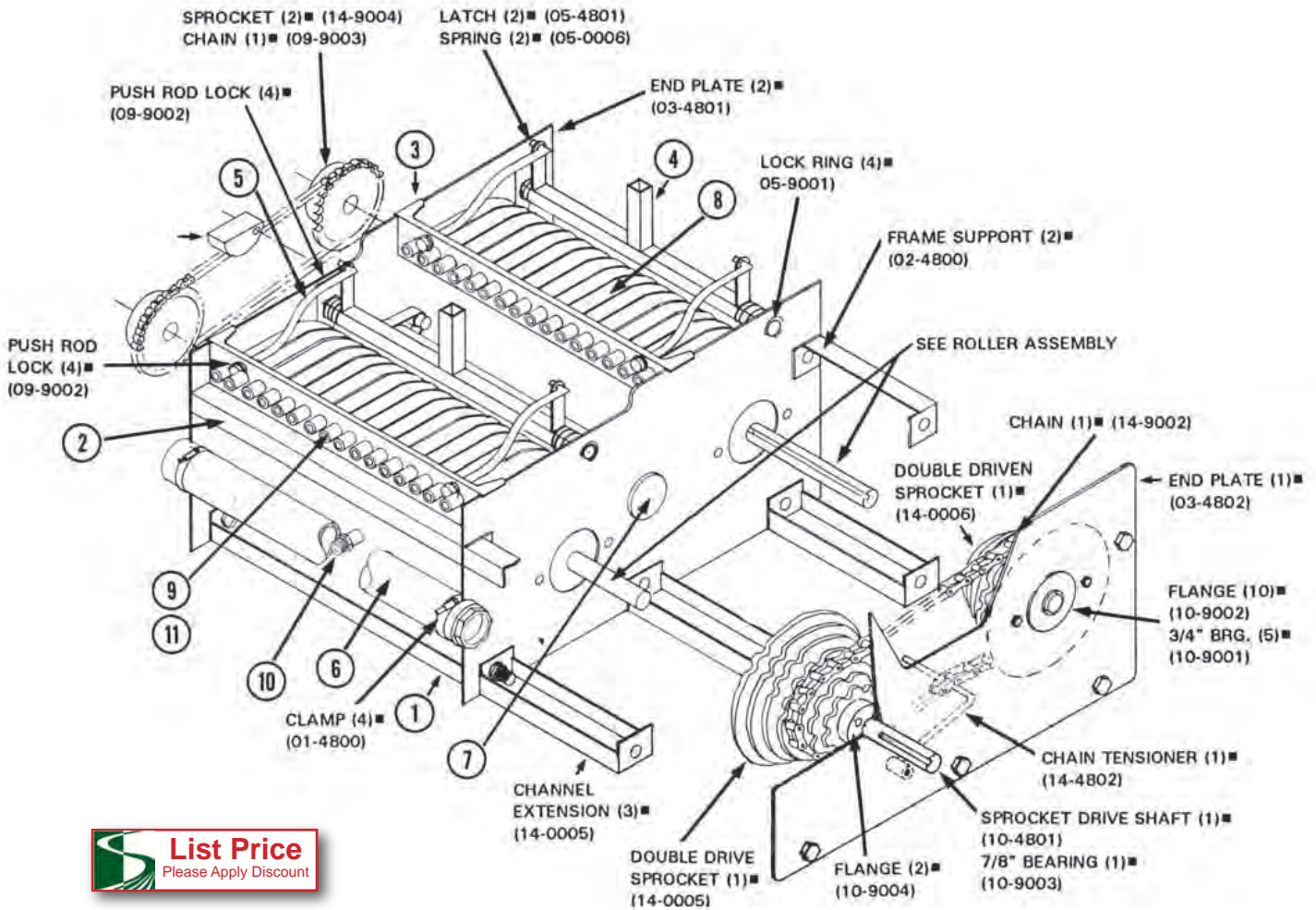
Item#	Description	Center		Center		Center		Center	
		Price	Price	Price	Price	Price	Price	Price	Price
1	Regular Roller Assembly	09-2424	\$553.65	09-3214	\$547.61	09-4011	\$578.01	09-4814	\$578.01
2	Modified Roller Assembly	09-2424	\$553.65	09-3214	\$547.61	09-4011	\$578.01	09-4811	\$578.01
3	Regular Mainshaft	10-2424	\$81.66	10-3214	\$82.43	10-3224	\$89.32	10-4814	\$92.01
4	Modified Mainshaft	10-2424	\$81.66	10-3214	\$82.43	10-3224	\$89.32	10-4814	\$92.01
5	Rollers (4)	09-1221	\$68.23	09-1611	\$59.94	09-1621	\$122.27	09-2411	\$83.80

Item#	Description	8B-1/8L				12B-1/8L			
		Front	Price	Center	Price	Front	Price	Center	Price
1	Regular Roller Assembly	09-1623	\$527.68	09-1624	\$538.46	09-1623	\$527.68	09-1624	\$538.46
2	Modified Roller Assembly	09-1623	\$527.68	09-1624	\$538.46	09-1623	\$527.68	09-1624	\$538.46
3	Regular Mainshaft	10-1623	\$72.86	10-1624	\$76.48	10-1623	\$72.86	10-1624	\$76.48
4	Modified Mainshaft	10-1623	\$72.86	10-1624	\$76.48	10-1623	\$72.86	10-1624	\$76.48
5	Rollers (4)	09-0821	\$69.27	09-0821	\$69.27	09-0821	\$69.27	09-0821	\$69.27





Double Squeeze Tube Pump Replacement Parts



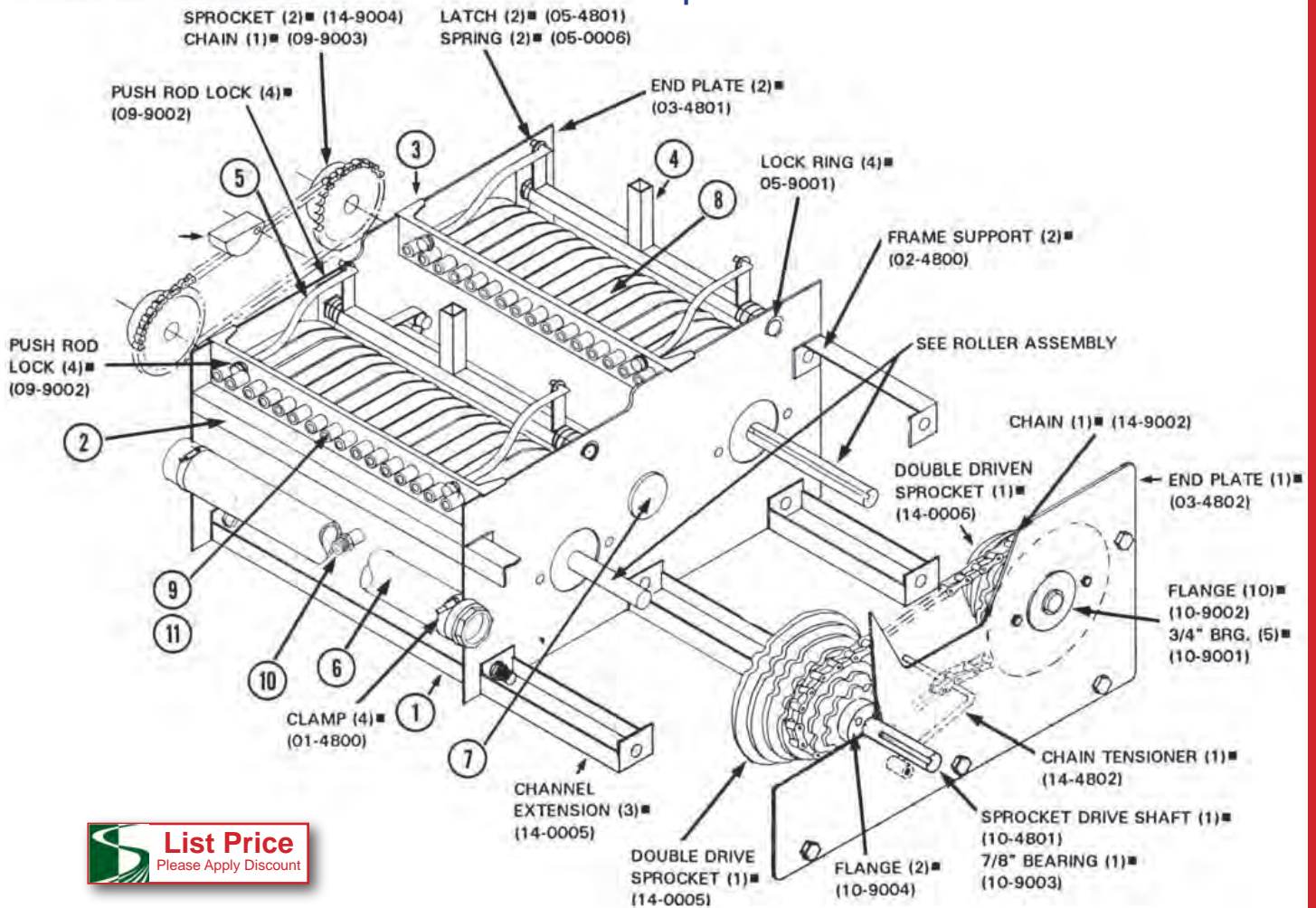
List Price
Please Apply Discount

Item#	Description	24LD		32BD-1		40BD-1		48BD-1	
		Part#	Price	Part#	Price	Part#	Price	Part#	Price
1	Base Channel (3)	01-1220	\$33.99	01-1610	\$29.38	01-1620	\$36.17	01-2410	\$36.64
2	Frame Support Bar (2)	02-1220	\$55.27	02-1610	\$40.27	02-1620	\$53.70	02-2410	\$51.47
3	Outlet Fitting Rack (2)	04-1220	\$59.87	04-1610	\$57.99	04-2010	\$68.55	04-2410	\$65.37
4	Tube Tension Bar (2)	05-1220	\$101.71	05-1610	\$62.69	05-2010	\$66.98	05-2410	\$67.51
5	Push Rod (4)	06-0021	\$33.82	06-0011	\$46.14	06-0011	\$46.14	06-0011	\$46.14
6	Manifold - Front	07-1220	\$118.09	07-3211	\$112.21	07-2010	\$125.22	07-2410	\$140.45
7	Manifold - Center	07-2420	\$114.38	07-3212	\$123.03	07-4010	\$117.13	07-4812	\$116.99
8	Squeeze Tube *	08-0020	\$17.66	08-0010	\$11.27	08-0010	\$11.27	08-0010	\$11.27
9	Outlet Fitting * Plastic	08-0022	\$5.45	n/a		n/a		n/a	
	Outlet Fitting * S.S.	n/a		08-0013	\$21.53	08-0013	\$21.53	08-0013	\$21.53
10	Inlet Fitting * Plastic	08-0021	\$5.07	n/a		n/a		n/a	
	Inlet Fitting * S.S.	n/a		08-0015	\$22.48	08-0015	\$22.48	08-0015	\$22.48
	S.S. Screw Clamps	08-9004	\$3.37	08-9003	NA	08-9003	NA	08-9003	NA
	Manifold Plug *	08-9002	\$2.81	08-9001	NA	08-9001	NA	08-9001	NA

*Requirements based on number of outlets



Combination Squeeze Tube Pump Replacement Parts



List Price
Please Apply Discount

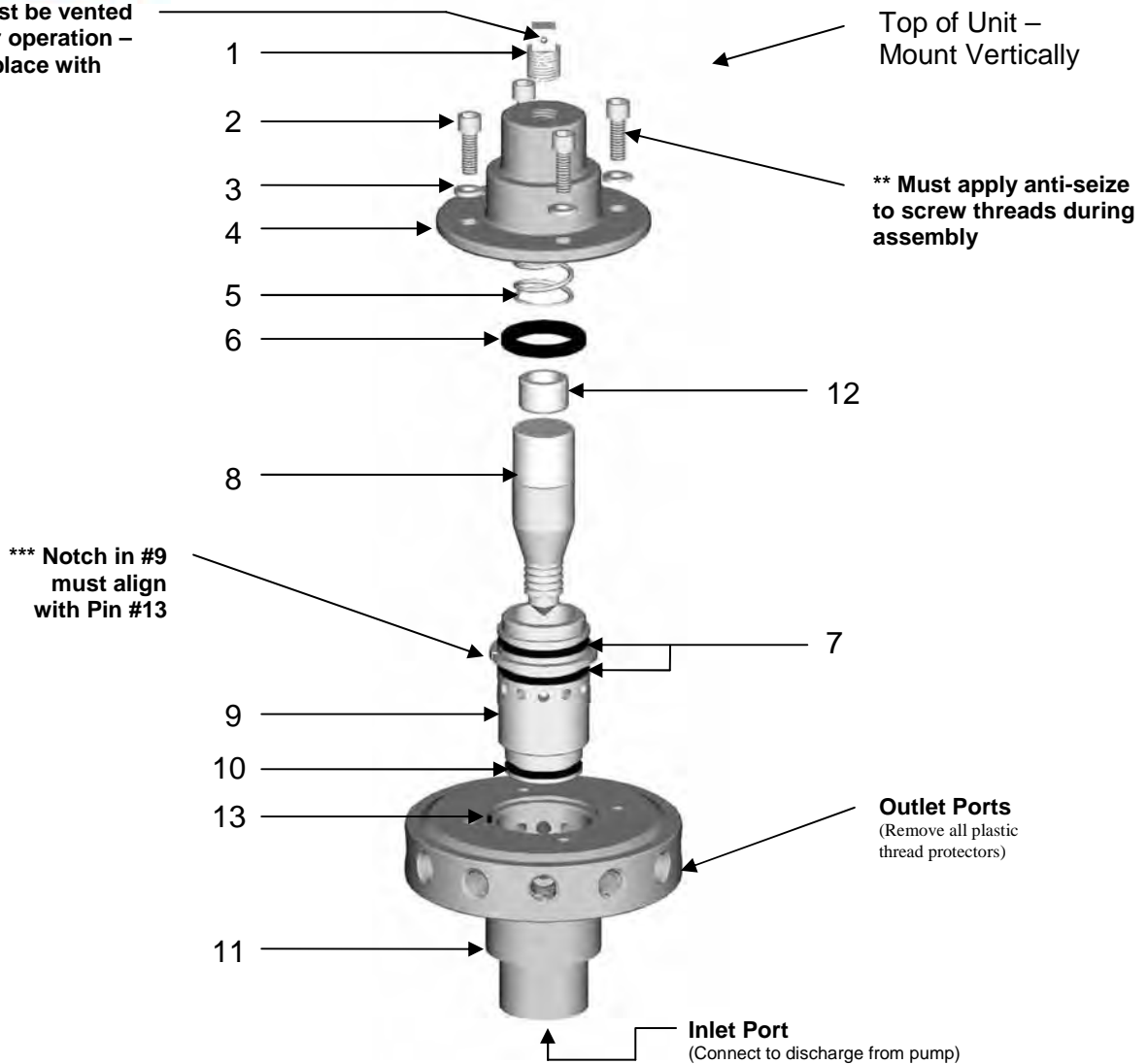
Item#	Description	8B-1/8L		12B-1/8L	
		Part#	Price	Part#	Price
1	Base Channel (3)	01-0820	\$24.67	01-0820	\$24.67
2	Frame Support (2)	02-0820	\$39.70	02-0820	\$39.70
3	Outlet Fitting Rack (2)	8B 04-1210	\$50.69	12B 04-1210	\$53.04
		8L 04-0820	\$51.70	8L 04-0820	\$51.70
4	Tube Tension Bar (2)	8B 05-1210	\$105.78	12B 05-1210	\$105.78
5	Push Rod (4)	8B 06-0011	\$46.14	12B 06-0011	\$46.14
6	Manifold - Front	07-1611	\$94.88	07-1610	\$98.48
7	Manifold - Center	07-1622	\$121.31	07-1622	\$121.31
8	Squeeze Tube*	B 08-0010	\$11.27	B 08-0010	\$11.27
9	Outlet Fitting * S.S.	B 08-0013	\$21.53	B 08-0013	\$21.53
		L 08-0022	\$5.45	L 08-0022	\$5.45
10	Inlet Fitting * S.S.	B 08-0015	\$22.48	B 08-0015	\$22.48
		L 08-0021	\$5.07	L 08-0021	\$5.07
11	S.S. Screw Clamps	B 08-9003	NA	B 08-9003	NA
		L 08-9004	\$3.37	L 08-9004	\$3.37
		L 08-9002	\$2.81	L 08-9002	\$2.81
		B 08-9001	NA	B 08-9001	NA



CDS FLOW DIVIDER

Replacement Parts

* Plug must be vented for proper operation – do not replace with solid plug



Item	Description	Qty	FD-1200 Parts List		FD-2000 Parts List	
			Part#	Price	Part#	Price
1	Vented Cap Plug (* see note)	1	S-350	\$8.26	S-350	\$8.26
2	Socket Head Screw (** see note)	4	90514	\$1.35	90514	\$1.35
3	Lock Washer	4	93022	\$.40	93022	\$.40
4	Cap	1	115146-01	\$122.56	115401-01	\$ 268.87
5	Spring	1	115152-01	\$14.66	115399-01	\$12.42
6	Needle Seal	1	115151-01	\$42.39	115398-01	\$73.39
7	O-Ring	2	115025-01	\$6.49	115403-01	\$6.49
8	Needle	1	115150-91	\$224.08	115397-91	\$543.26
9	Sleeve (***) see note)	1	115387-01	\$170.83	115402-01	\$274.68
10	O-Ring	1	115024-01	KIT	115025-01	KIT
11	Body	1	115147-01	\$1,166.36	115400-01	\$1,095.17
12	Spacer	1	115435-01	\$28.83	115438-01	\$24.63
13	3/32 x 3/8 Roll Pin	1	115495-01		115495-01	

Part#	Description	Price
115406	F-1200 Needle & Seal Kit, Includes 1 each of #5, 6, 8, & 10 and 2 of #7	\$252.05
115407	F-1200 Seal Kit, Includes 1 each of #5, 6, & 10 and 2 of #7	\$89.61
115433	F-2000 Needle & Seal Kit, Includes 1 each of #5, 6, 8, & 10 and 2 of #7	\$724.38
115434	F-2000 Seal Kit, Includes 1 each of #5, 6, & 10 and 2 of #7	\$127.30