



MONARCH PUMPS

CAST IRON TRANSFER PUMPS

BSGF SERIES by MONARCH

The Monarch BSGF Series of self-priming, engine driven pumps are designed primarily for liquid fertilizer transfer using a semi-open impeller. The BSGF pumps are constructed of rugged, abrasion resistant cast iron, with cast iron impellers. They also have a Viton and stainless steel shaft seal to resist most ag chemical and liquid fertilizer. selected models available in Briggs & Stratton or Honda engines.

- Casing - Cast Iron; 2" or 3" suction & discharge
- Priming & Drain Plugs - 3/4" garden hose size
- Impeller - 4 vane, semi-open gray cast iron, with "Blind Hole" for engine shaft protection
- Seal - Self lubrication mechanical seal, carbon-ceramic faces, Viton bellow to resist most ag-chemicals and liquid fertilizers
- Base - Rugged stamped steel base provides for easy mounting
- Handle - Built-in handle for easy portability



Part#	Port Size	Motor	Price
BSGF-10	2"	5HP Briggs & Stratton	\$1,072.69
BSGF-10H	2"	5.5HP Honda	\$1,699.38
8BSGF-12	3"	8HP Briggs & Stratton	\$2,102.75
8BSGF-12H	3"	9HP Honda	\$2,972.40

BSEF SERIES by MONARCH

The Monarch BSEF Series self-priming cast iron pumps are designed to handle liquid fertilizer, such as concentrated nitrogen phosphorous solutions. The Viton and stainless steel seal will handle most agriculture and weed control chemicals. The BSEF pumps are also excellent for general dewatering purposes.

- Casing - Cast Iron; 1 1/4", 2" or 3" suction & discharge
- Priming & Drain Plugs - 3/4" garden hose size
- Impeller - Semi-open cast iron, with "Blind Hole" for engine shaft protection
- Seal - Made of stainless steel with Viton bellows. The BSEF-500 and BSEF-750 have a replaceable stainless steel sleeve for easy seal maintenance and protection of motor shaft



Part#	Port Size	Motor	Price
BSEF-150-TE	1 1/4"	1 1/2 1 Phase / 60 / 115/230V	\$941.91
BSEF-200-TE	2"	2 1 Phase / 60 / 115/230V	\$1,099.82
BSEF-300-TE	2"	3 1 Phase / 60 / 230V	\$1,392.45
BSEF-300-TE-3	2"	3 3 Phase / 60 / 208-230/460V	\$1,455.44
BSEF-500-TE	3"	5 1 Phase / 60 / 230V	\$2,457.29
BSEF-500-TE-3	3"	5 3 Phase / 60 / 208-230/460V	\$1,885.28
BSEF-750-TE-3	3"	7 1/2 3 Phase / 60 / 208-230/460V	\$2,112.92



MONARCH PUMPS PEDESTAL PUMPS



BSTF SERIES by MONARCH

Monarch's BSTF Series of self-priming centrifugal pumps are designed to be either belt driven or direct driven through a flexible coupling. this versatile design allows the option of connecting to the motor or engine of your choice.

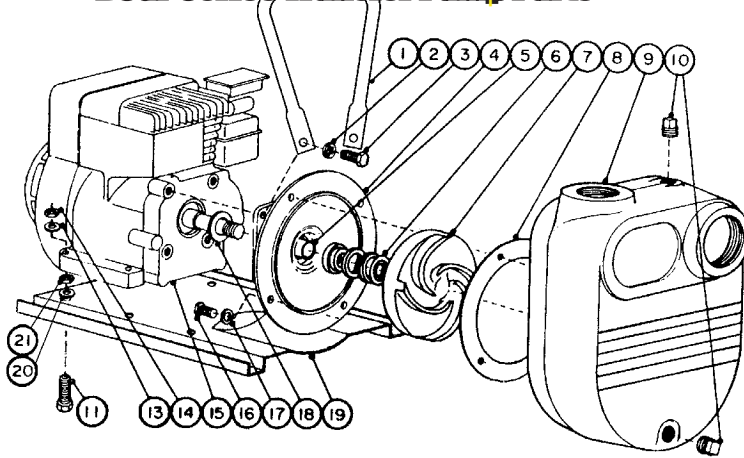
Part#	Port Size	GPM	Shaft	Price
BSTF-82	2"	127	3/4"	\$430.10
BSTF-125	3"	272	3/4"	\$1,157.49





MONARCH PUMPS

BSGF Series Transfer Pump Parts



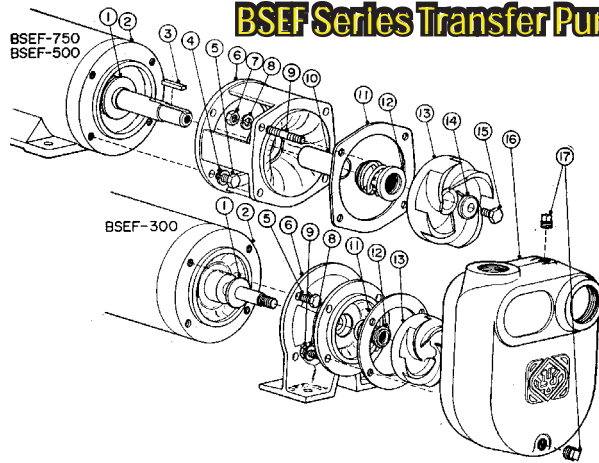
Ref#	Part#	Description	Price
1	414149 (B)	Handle	NA
1	401664 (A)	Handle	\$34.32
4	238283 (A)	Adapter	\$82.50
4	438481 (B)	Adapter	\$209.22
5	266000 (A)	Sleeve	\$27.50
5	266006 (B)	Sleeve SST	\$82.50
6	240344 (A)	Mechanical Seal, 3/4" I.D.	\$42.90
6	240359 (B)	Mechanical Seal, 1 1/4" I.D.	\$152.90
7	438202 (A)	Impeller	\$100.76
7	438475 (B)	Impeller	\$166.54
8	193930 (A)	Gasket	\$6.60
8	193919 (B)	Gasket	\$6.60
9	438057 (A)	Casing - Yellow	\$315.70
9	438490 (B)	Casing	\$605.00
10	185650	Pipe Plug, 3/4" NPT	\$5.50

(A) - BSGF-10 / BSGF-10H (B) - 8BSGF-12 / 8BSGF-12H

Ref#	Part#	Qty			Description	Price
		A	B	C		
1	191790	1			Flinger	\$2.75
1	190848		1	1	Flinger	\$3.85
2	204200	1			Motor, 3HP 230V	NA
2	218705		1		Motor, 5HP 230V	NA
2	218711		1		Motor, 7 1/2HP 230/460V	NA
3	432050		1	1	Key	\$2.75
4	176230		4	4	Spring Washer, 3/8"	\$2.75
5	119990		4		Bolt, 3/8" x 3/4"	\$2.75
5	226210		4	4	Bolt, 3/8" x 1" ZNPL	\$2.75
6	438260		1		Adapter	\$184.34
6	438482		1	1	Adapter	\$243.76
7	227830		4	4	Nut, 3/8" ZNPL	\$2.75
8	176230		4	4	Spring Washer, 3/8" ZNPL	\$2.75
9	119990		4		Bolt, 3/8" x 3/4"	\$2.75
9	172971		4	4	Stud, 3/8" x 1 1/4"	\$8.91
10	266006		1	1	Sleeve	\$82.50
11	193930		1		Gasket	\$6.60
11	193919		1	1	Gasket	\$6.60
12	240316		1		Mechanical Seal, 5/8" I.D.	\$86.63
12	240359		1	1	Mechanical Seal, 1 1/4" I.D.	\$152.90
13	438140		1		Impeller	\$123.64
13	438478		1		Impeller	\$231.44
13	438476		1		Impeller	\$314.60
14	414148		1	1	Collar	\$46.20
15	124191		1	1	Bolt, 3/8" x 3/4" Stainless Steel	\$2.75
16	438057		1		Casing - Yellow	\$277.20
16	438490		1	1	Casing	\$577.50
17	185650		2	2	Pipe Plug, 3/4" NPT	\$5.50

A - BSE-300 B - BSEF-500 C - BSEF-750

BSEF Series Transfer Pump Parts



Ref#	Part#	Qty			Description	Price
		A	B	C		
1	438222	1			Transmission Housing	\$286.00
1	437851		1	1	Transmission Housing	\$264.44
2	128230	4	4	4	Nut, 3/8"	\$2.20
3	176540	4	4	4	Spring Washer, 3/8"	\$1.65
4	172990	4	4	4	Stud, 3/8" UNC x 1 3/4" SST	\$8.58
5	432010		1		Key	\$2.20
5	432280		1	1	1" Key (for shaft #437852)	\$2.20
5	432015		1	1	1 1/4" Key (for shaft #437854)	\$2.20
6	438455		1		Shaft & Bearing Assembly	\$119.02
6	437852		1	1	Shaft (ext 1-29/64)	\$388.92
6	437854		1	1	Shaft (ext 1-47/64)	\$463.84
7	110216		2	2	Bearing	\$33.88
8	137930		1		Retaining Ring	\$2.20
8	137982		1	1	Retaining Ring	\$3.52
9	199245		1	1	Lip Seal	\$47.96
10	191791		1		Flinger	\$2.20
10	190847		1	1	Flinger	\$2.64
11	266008		1	1	Sleeve	\$155.54
12	438243			1	Seal Plate	\$91.52
13	240316		1		Mechanical Seal - 5/8" I.D.	\$80.08
13	240369		1	1	Mechanical Seal - 1" I.D.	\$212.74
14	193928		1		Gasket	\$3.74
14	193929			1	Gasket	\$5.94
15	438131		1		Impeller	\$123.64
15	438489			1	Impeller	\$217.58
16	438029		1		Casing - yellow	\$339.68
16	438473			1	Casing	\$629.20
17	185650		2	2	Pipe Plug, 3/4" NPT	\$5.50

A - BSTF-82 B - BSTF-83 C - BSTF-125

BSTF Series Pedestal Pump Parts

