



12 VOLT & 110 VOLT DIAPHRAGM PUMPS

8000 SERIES DIAPHRAGM PUMP

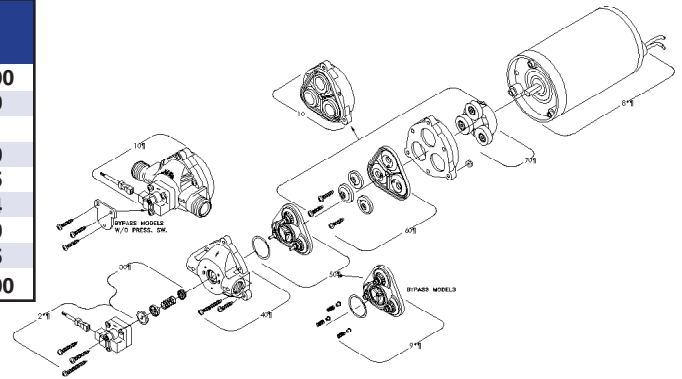
Standard Features: 3/8" FPT Ports, 160° F Max. Temperature, Primes Up To 8', Polypropylene Body

Part#	Description	Max. GPM	Max. PSI	Price
8000-543-236	12 Volt Pump w/ 60 PSI demand switch	1.8	50	\$140.00
8000-543-210	12 Volt Pump w/ 45 PSI internal bypass	1.3	40	\$140.00
8000-941-260	12 Volt Pump with bypass, Foamer	1.0	100	\$175.00
8000-541-236	12 Volt Pump w/ 60 PSI demand switch	1.0	60	\$120.08
8000-543-250	12 Volt Pump w/ 45 PSI internal bypass	1.8	50	\$140.00
8000-713-238	110 Volt Pump w/ 100 psi demand switch	1.6	100	\$224.00
8000-533-250	110 Volt Pump w/ 45 PSI internal bypass	1.4	50	\$236.00
8023-313-239	115 Volt OIL PUMP, 6' Cord, Buna-N Seals	1.4		\$243.00



8000 SERIES PUMP REPAIR PARTS

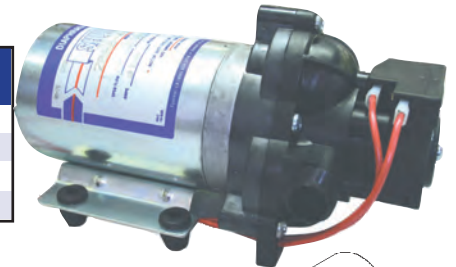
Ref#	Part#	Description	Price
1	94-380-02	Complete Pump Head, Demand	\$129.90
2	94-375-05	Switch Assembly, Viton	\$34.90
3A	94-374-05	Check Valve Under Switch-Celcon/Viton	\$15.51
4	94-379-00	Upper Housing	\$28.20
5A	94-391-05	Bypass Valve Assembly - Viton	\$63.45
5V	94-390-05	Demand Valve Assembly - Viton	\$50.64
6	94-395-06	Diaphragm Kit	\$27.80
7	94-385-03	Drive Assembly	\$31.65
8	11-111-00	Motor	\$148.00



2088 SERIES DIAPHRAGM PUMP

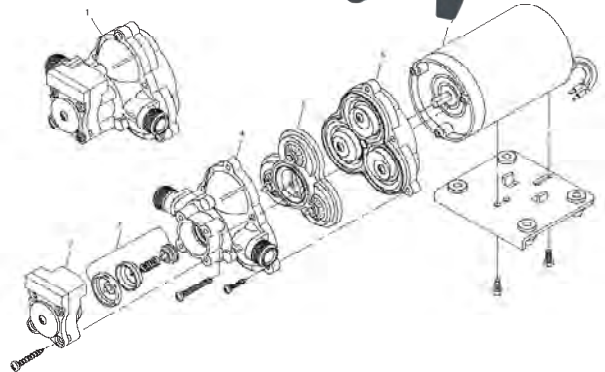
Standard Features: 1/2" MPT Ports, Santoprene Diaphragms & Valves, 12V & 110V

Part#	Description	Max. GPM	Price
2088-443-144	12 Volt pump w/ 45 PSI Demand Switch	3.5	\$169.00
2088-514-500	12 Volt pump w/ 45 PSI Internal Bypass	4.0	\$243.00
2088-594-154	110 Volt pump w/ 45 PSI Demand Switch	3.2	\$247.00
2088-813-544	12 Volt Oil Pump w/ Buna-N Seals 45 PSI	3.3	\$209.00



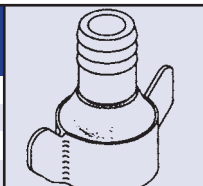
2088 SERIES PUMP REPAIR PARTS

Ref#	Part#	Description	Price
1	94-236-14	Complete Pump Head	\$136.00
1A	94-231-05	Upper Housing & Switch	\$71.00
2	94-230-36	Switch Kit	\$45.37
3	94-237-05	Check Valve Kit Under Switch	\$29.40
4	94-231-30	Upper Housing	\$39.00
5	94-232-00	Valve Kit	\$28.15
6	94-238-03	Diaphragm & Drive	\$54.86
7	11-111-00	Motor	\$148.00

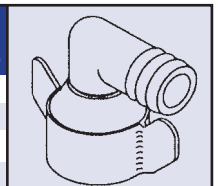


Hose Barb Swivels for 2088 Series Pumps

Hose Barb Swivel Straight		
Part#	Description	Price
8-162-01	3/8" Hose Barb Swivel Straight	\$5.44
8-161-01	1/2" Hose Barb Swivel Straight	\$5.44
8-154-01	5/8" Hose Barb Swivel Striaght	\$5.44
8-156-01	3/4" Hose Barb Swivel Straight	\$5.44



Hose Barb Swivel Elbow		
Part#	Description	Price
8-159-01	3/8" Hose Barb Swivel Elbow	\$5.44
8-158-01	1/2" Hose Barb Swivel Elbow	\$5.44
8-155-01	5/8" Hose Barb Swivel Elbow	\$5.44
8-157-01	3/4" Hose Barb Swivel Elbow	\$5.44



12 VOLT PUMPS

SHURflo SLV Series

Part#	Description	Price
SLV10-AA40	12 Volt Pump w/ 40 PSI Demand switch and integral on/off switch included	\$91.35
SLV10-AA41	12 Volt Pump w/ 40 PSI Demand switch	\$91.35

Replacement Parts Not Available

SLV Series Features:

- Automatic demand; 25 PSI on/40 PSI
- Self priming up to 2.5 vertical feet
- Long-life pressure switch
- Santoprene diaphragm, Viton valves
- Thermally-protected ball bearing motor with splash proof housing
- Internal fan radiates heat; external heat sink not required
- Integral on/off switch optional



SHURflo Power Twin Pump

Part#	Description	Price
4111-035	12 Volt Pump w/ 45 PSI Demand Switch, manifold with 5/8" Barb Ports	\$434.00

Features:

- Up to 6.25 GPM
- Thermally-protected motor w/ heat sink
- Self Priming
- Quiet, balanced operation
- Long life pressure switch
- Intake / Discharge Manifold optional
- Santoprene diaphragm, Viton valves



DELAVAN PUMPS, INC.



5 or 7 GPM 12 Volt Pumps. Great for starter Fertilizer!

Five chamber positive displacement diaphragm pump, self priming, capable of being run dry, demand or bypass mode.

- Max. temperature 140° F
- Max GPM: 5850-5.0 GPM
- Priming Capabilities: 14 feet
- Max GPM: 7870-7.0 GPM
- Max Pressure: 5850 - 100 PSI
- Inlet/Outlet Ports: 1/2" FNPT
- Max Pressure: 7870 - 150 PSI

Part#	Description	Price
5850-101E	12 Volt Pump, 5.0 GPM	\$315.00
7870-101E-SB	12 Volt "FatBoy" Pump, 7.0 GPM	\$507.00

DELAVAN Pump Repair Parts



Ref#	Part#	Description	Price
1	UHA-5513-1E77	Upper Housing w/ Pressure Switch	\$67.00
2	VHA5513-1E77	Valve Assembly	\$41.02
3	LHA5513-1E77	Lower Housing	\$50.60

HYPRO Aqua-Tiger

Features:

- 12 Volt DC motor drive
- Port Sizes: 3/4" NPT inlet/outlet
- Max Fluid Temp: 140° F
- Housing: Bronze or Stainless Steel
- Impeller: Bronze (9700B)
- Stainless Steel (9700S)
- Seal: Lip-Type Viton (9700B)
- Mechanical (9700S)



Part#	Description	Price
9700B	12-Volt Brass Centrifugal Pump	\$315.18
9700S	12-Volt Stainless Steel Centrifugal Pump	\$389.34

12 Volt Pump Controller

Self contained pump speed control unit for 12-volt pumps with Stainless Steel pressure gauge. Complete with 23' break-away harness and gauge tubing. 35 Amp Only.



Kit Includes: Console, Battery Cable, Motor Cable & Extension Cable

Part#	Description	Price
3BEC-25-SSG-KIT	12 Volt Controller Kit	\$508.53
3BEC-25-SSG	Console Only	\$302.40
BC20-10	Battery Cable	\$42.40
MC20-15	Motor Cable	\$51.20
MCEX-2015	Extension Cable	\$48.00