



# HYDRAULIC DRIVEN CENTRIFUGAL PUMPS

**CAST IRON**

1 1/2" SUCTION x 1 1/4" DISCHARGE		Max. GPM	Max. PSI	Price
Part#	Description			
9303C-HM1C	13 GPM hydraulic motor / cast iron pump for open/closed center systems	114	130	\$990.86
9303C-HM1C-B	13 GPM hydraulic motor / cast iron pump for open/closed center systems, Silicon Carbide Seals	114	130	\$1,090.77
9303C-HM1C-BU	13 GPM hydraulic motor / cast iron pump for open/closed center systems, Silicon Carbide Seals, 220 Series flange inlet, 200 Series flange outlet	114	130	\$1,131.97
9303C-HM2C	6 GPM hydraulic motor / cast iron pump for closed center systems	97	95	\$990.86
9303C-HM3C	20 GPM hydraulic motor / cast iron pump for large open center systems	125	98	\$1,053.69
9303C-HM4C	7 GPM hydraulic motor / cast iron pump for open/closed center systems	115	93	\$990.86
9303C-HM5C	16 GPM hydraulic motor / cast iron pump for open/closed center systems	147	145	\$990.86
3430-0332	Seal and O-Ring Repair Kit			\$49.29
3430-0589	Silicon Carbide Seal and O-Ring Repair Kit			\$193.74



9304C

**PARTS BREAKDOWN  
ON PAGE 173**

Available with Silicon Carbide Seals. Add suffix letter "B" to part number (ex: 9303C-HM4C-B)  
 Available with Universal Flanges (220 series inlet x 200 series outlet). Add suffix letter "U" to part number (ex: 9303C-HM4C-U)  
 For Silicon Carbide Seal AND Universal Flange add suffix letters "BU" to part number (ex: 9303C-HM4C-BU)

**List Price**  
 Please Apply Discount

2" SUCTION x 1 1/2" DISCHARGE		Max. GPM	Max. PSI	Price
Part#	Description			
9304C-HM1C	13 GPM hydraulic motor / cast iron pump for open/closed center systems	210	115	\$1,160.81
9304C-HM3C	20 GPM hydraulic motor / cast iron pump for large open center systems	190	80	\$1,223.64
9304C-HM5C	17 GPM hydraulic motor / cast iron pump for open/closed center systems	210	140	\$1,160.81
9305C-HM3C	19 GPM hydraulic motor / cast iron pump for large open center systems	182	160	\$1,679.93
9306C-HM1C	13 GPM hydraulic motor / cast iron pump for open/closed center systems	207	130	\$1,160.81
9306C-HM1C-BU	13 GPM hydraulic motor / cast iron pump for open/closed center systems, Silicon Carbide Seals, 220 Series flange inlet, 200 Series flange outlet	207	130	\$1,301.92
9306C-HM3C	24 GPM hydraulic motor / cast iron pump for open/closed center systems	214	135	\$1,223.64
9306C-HM5C	17 GPM hydraulic motor / cast iron pump for large open center systems	212	140	\$1,160.81
3430-0456	Vent line kit with 25' long, 1/4" ID vinyl hose, 1/8" NPT x 1/4" hose barb elbow, 1/8" NPT x 1/4" barb, plastic hose clamp and cable tie			\$38.52
3430-0332	Seal and O-Ring Kit			\$49.29
3430-0589	Silicon Carbide Seal and O-Ring Repair Kit			\$193.74
3430-0500	Seal and O-Ring Repair Kit for 9305C-HM3C ONLY			\$50.42
3430-0601	Silicon Carbide Seal and O-Ring Kit for 9305C-HM3C ONLY			\$194.88



9304C



9305C



9306C

**PARTS BREAKDOWN  
ON PAGE 174**

Available with Silicon Carbide Seals. Add suffix letter "B" to part number (ex: 9304C-HM4C-B)  
 Available with Universal Flanges (220 series inlet x 200 series outlet). Add suffix letter "U" to part number (ex: 9304C-HM4C-U)  
 For Silicon Carbide Seal AND Universal Flange add suffix letters "BU" to part number (ex: 9306C-HM4C-BU)

**9303C-HM1C-BU**  
**9306C-HM1C-BU**

Used on Sprayer Specialties NF and VLU Series Sprayers  
 Used on Sprayer Specialties XLRD Series Sprayers


**NF Series**
**VLU Series**
**XLRD Series**



# HYDRAULIC DRIVEN CENTRIFUGAL PUMPS

**STAINLESS STEEL & SELF PRIMING**

STAINLESS STEEL		Max. GPM	Max. PSI	Price
Part#	Description			
9302ST-GM1	2-3 GPM hydraulic gear motor / 316 stainless steel pump w/ silicon carbide seals. 1 1/4" NPT inlet / 1" NPT outlet	63	105	\$1,721.13
9302S-HM1C	13 GPM hydraulic motor / 316 stainless steel pump for open/closed center systems w/ Viton/Ceramic seals, 1 1/4" NPT inlet / 1" NPT outlet	72	150	\$1,721.13
9302S-HM2C	6 GPM hydraulic motor / 316 stainless steel pump for open/closed center systems w/ Viton/Ceramic seals, 1 1/4" NPT inlet / 1" NPT outlet	65	96	\$1,721.13
9302S-HM4C	20 GPM hydraulic motor / 316 stainless steel pump for open/closed center systems w/ Viton/Ceramic seals, 1 1/4" NPT inlet / 1" NPT outlet	72	120	\$1,721.13
9303S-HM1C	13 GPM hydraulic motor / 316 stainless steel pump for open/closed center systems w/ Silicon Carbide seals, 1 1/2" NPT inlet / 1 1/4" NPT outlet	114	130	\$1,766.45
9303S-HM2C	6 GPM hydraulic motor / 316 stainless steel pump for open/closed center systems w/ Silicon Carbide seals, 1 1/2" NPT inlet / 1 1/4" NPT outlet	97	95	\$1,766.45
9303S-HM3C	20 GPM hydraulic motor / 316 stainless steel pump for open/closed center systems w/ Silicon Carbide seals, 1 1/2" NPT inlet / 1 1/4" NPT outlet	125	98	\$1,831.34
9303S-HM4C	7 GPM hydraulic motor / 316 stainless steel pump for open/closed center systems w/ Silicon Carbide seals, 1 1/2" NPT inlet / 1 1/4" NPT outlet	115	93	\$1,766.45
9303S-HM5C	16 GPM hydraulic motor / 316 stainless steel pump for open/closed center systems w/ Silicon Carbide seals, 1 1/2" NPT inlet / 1 1/4" NPT outlet	147	145	\$1,766.45
9306S-HM1C	13 GPM hydraulic motor / 316 stainless steel pump for open/closed center systems w/ Silicon Carbide seals, 2" NPT inlet / 1 1/2" NPT outlet	207	130	\$2,089.87
9306S-HM3C	24 GPM hydraulic motor / 316 stainless steel pump for open/closed center systems w/ Silicon Carbide seals, 2" NPT inlet / 1 1/2" NPT outlet	214	135	\$2,153.73
9306S-HM5C	17 GPM hydraulic motor / 316 stainless steel pump for open/closed center systems w/ Silicon Carbide seals, 2" NPT inlet / 1 1/2" NPT outlet	212	140	\$2,089.87
3430-0332	Seal and O-Ring Repair Kit			\$49.29
3430-0589	Silicon Carbide Seal and O-Ring Repair Kit			\$193.74



9303S



9306S

**PARTS BREAKDOWN ON PAGE 173**

SELF-PRIMING		Max. GPM	Max. PSI	Price
Part#	Description			
9303C-HM1C-SP	13 GPM hydraulic motor / cast iron pump for open/closed center systems, 1 1/2" NPT inlet / 1 1/4" outlet	122	130	\$1,351.36
9303C-HM2C-SP	6 GPM hydraulic motor / cast iron pump for closed center systems, 1 1/2" inlet / 1 1/4" outlet	104	90	\$1,351.36
9303C-HM3C-SP	20 GPM hydraulic motor / cast iron pump for large open center systems, 1 1/2" inlet / 1 1/4" outlet	120	95	\$1,414.19
9303C-HM4C-SP	7 GPM hydraulic motor / cast iron pump for open/closed center systems, 1 1/2" inlet / 1 1/4" outlet	99	97	\$1,351.36
9303C-HM5C-SP	16 GPM hydraulic motor / cast iron pump for open/closed center systems, 1 1/2" inlet / 1 1/4" outlet	140	140	\$1,351.36
9305C-HM3C-SP	19 GPM hydraulic motor / cast iron pump for open/closed center systems, 2" inlet, 2" outlet	178	154	\$2,297.93
9303S-HM1C-SP	13 GPM hydraulic motor / stainless steel pump for open/closed center system, 1 1/2" Inlet, 1 1/4" outlet	114	130	\$2616.20
9303S-HM2C-SP	6 GPM hydraulic motor / stainless steel pump for open/closed center system, 1 1/2" inlet, 1 1/4" outlet	97	95	\$2616.20
9303S-HM3C-SP	20 GPM hydraulic motor / stainless steel pump for open/closed center system, 1 1/2" inlet, 1 1/4" outlet	125	98	\$2681.09
9303S-HM4C-SP	7 GPM hydraulic motor / stainless steel pump for open/closed center system, 1 1/2" inlet, 1 1/4" outlet	115	93	\$2616.20
9303S-HM5C-SP	16 GPM hydraulic motor / stainless steel pump for open/closed center system, 1 1/2" inlet, 1 1/4" outlet	147	145	\$2616.20
3430-0589	Silicon Carbide Seal and O-Ring Kit			\$193.74
3430-0480SP	Self-Priming chamber kit for Model 9300			\$297.98
3430-0481SP	Self-Priming chamber kit for Model 9305			\$1,534.08
3430-0601	Silicon Carbide Seal Kit for 9305C-HM3C-SP			\$194.88

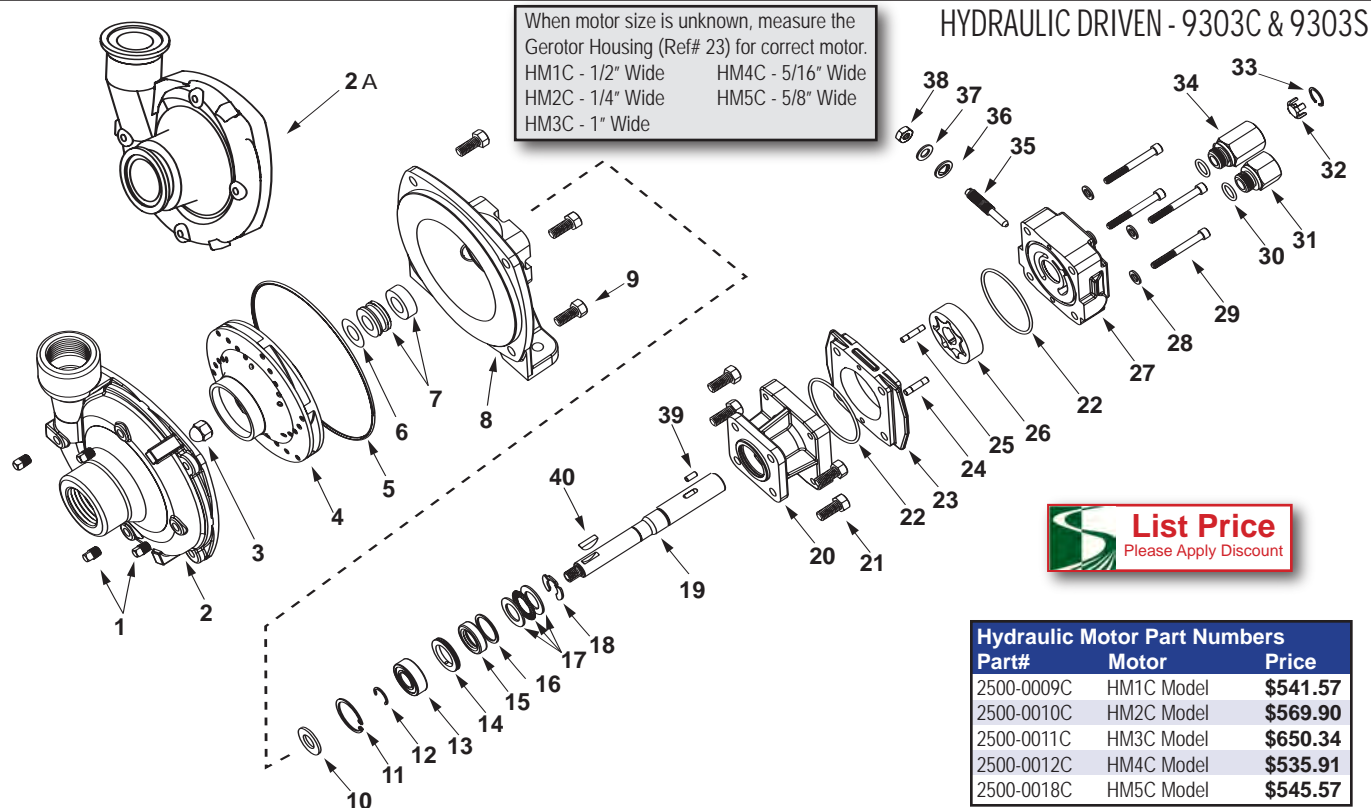


9305C-SP

**List Price**  
Please Apply Discount

\* Viton / Ceramic shaft seals standard with Cast Iron Self-Priming Pumps  
\*\*Silicon Carbide shaft seals standard with Stainless Steel Self-Priming Pumps

# PUMP REPLACEMENT PARTS



**List Price**  
Please Apply Discount

Hydraulic Motor Part Numbers		
Part#	Motor	Price
2500-0009C	HM1C Model	\$541.57
2500-0010C	HM2C Model	\$569.90
2500-0011C	HM3C Model	\$650.34
2500-0012C	HM4C Model	\$535.91
2500-0018C	HM5C Model	\$545.57

Part#	Description	Price
3430-0332	Repair Parts Kit, Includes O-Ring (Ref#5), Rubber Gasket (Ref#6), and Mechanical Seal (Ref#7)	\$49.29
3430-0589	Silicon Carbide Seal Kit, Includes O-ring (Ref#5), and Silicon Carbide Mechanical Seal (Ref#7)	\$193.74
3430-0178	Parts Kit, Includes Ball Bearing (Ref#13), Motor Shaft Seal (Ref#15), Thread Seal Gasket (Ref#36), and washer (Ref#37); (2) Motor Housing O-Rings (Ref#22), and (2) Port Adapter O-Rings (Ref#30)	\$59.48

Ref No.	Qty	Part#	Description	Price
1	4	2406-0007	Drain / Vent Plug (9303C)	\$ .79
1	4	2406-0016	Drain / Vent Plug (9304C)	\$7.31
2	1	0150-9000C	Pump Casing (Model 9303C)	\$199.41
2	1	0150-9000S	Pump Casing (Model 9303S)	\$554.04
2A	1	0153-9000C	Pump Casing (Universal Flange)	\$208.47
3	1	2253-0002	Impeller Nut (9303C)	\$4.82
3	1	2253-0006	Impeller Nut (9303S)	\$24.36
4	1	0401-9100P	Impeller (Nyglass, standard)(9303C)	\$41.92
4	1	0402-9100P	Impeller (Polypropylene)(9303S)	\$46.45
5	1	1720-0083	O-Ring	\$2.89
6	1	1700-0100	Rubber Gasket (9303C)	\$4.14
7	1	2120-0009	Mechanical Seal - Viton(9303C)	\$43.62
7	1	3430-0589	Mechanical Seal - Silicon Carbide(9303S)	\$193.74
8	1	0750-9300C	Mounting Flange	\$114.13
8	1	0756-9300S	Mounting Flange (9303S)	\$694.53
9	4	2210-0020	Hex Head Cap Screw (9303C)	\$ .74
9	4	2210-0125	Hex Head Cap Screw (9303S)	\$1.47
10	1	1410-0056	Slinger Ring	\$1.02
11	1	1820-0013	Retaining Ring	\$ .96
12	1	1810-0014	Snap Ring	\$ .85
13	1	2000-0010	Ball Bearing	\$9.12
14	1	1410-0073	Spacer	\$6.12
15	1	2104-0005	Shaft Seal	\$43.34
16	1	1410-0074	Seal Spacer	\$1.02
17	1	2029-0014	Thrust Bearing Assembly - Consists of: (1)Thrust Bearing & (2) Thrust Bearing Races	\$24.64
18	1	1810-0026	Snap Ring	\$ .85
19	1	0509-2500	Shaft (HM2C & HM4C) 6 3/4" Long	\$188.08
19	1	0511-2501	Shaft (HM1C & HM5C) 7" Long	\$197.14
19	1	0510-2500	Shaft (HM3C) 7 1/2" Long	\$296.85
20	1	0151-2500C	Motor Body (Includes Main Bearing)	\$105.94
21	4	2210-0005	Hex Head Cap Screw	\$ .57
22	2	1720-0110	O-Ring	\$ .96
23	1	0701-2500C1	Gerotor Housing (HM2C) 1/4" Wide	\$150.69

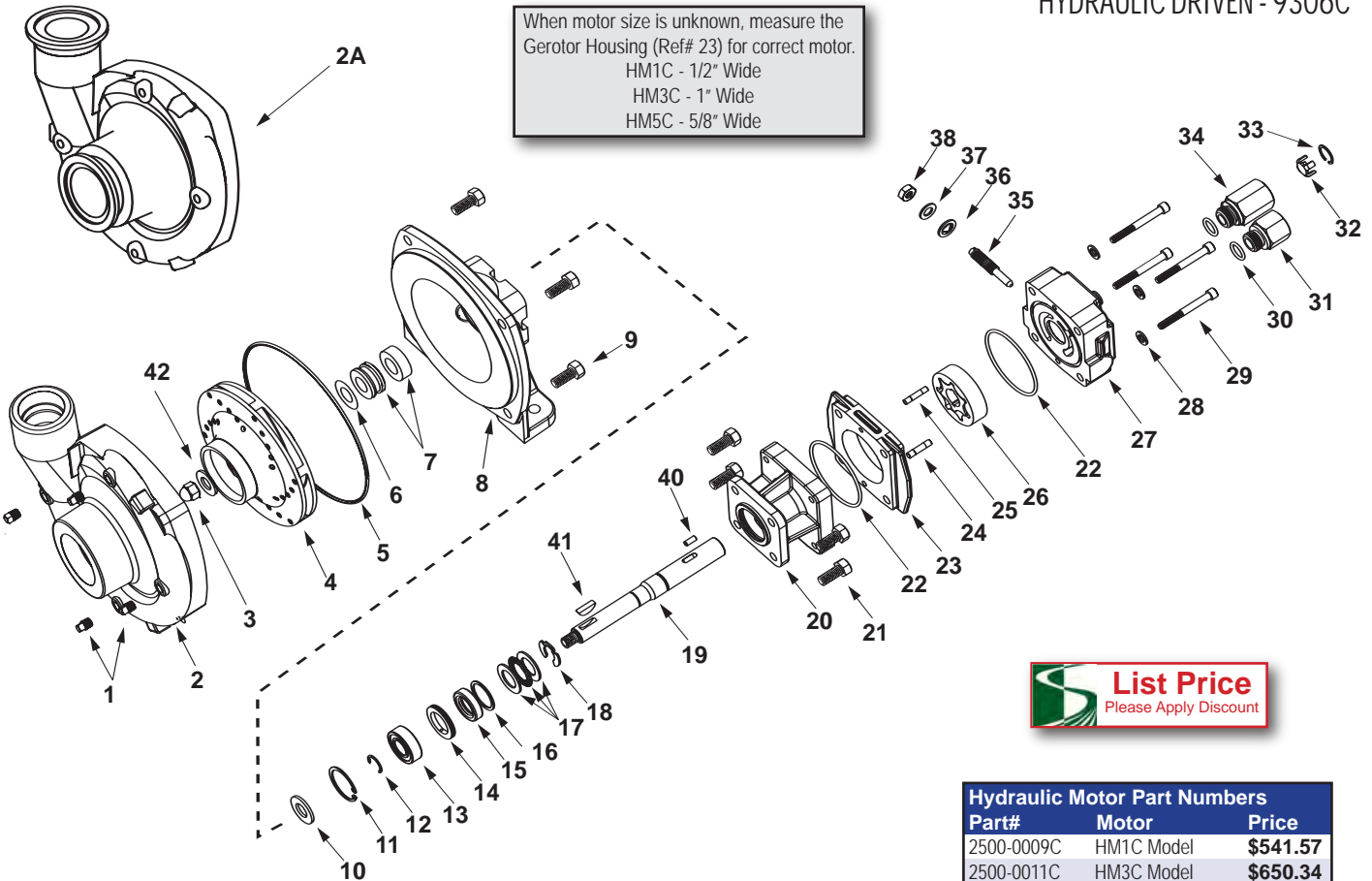
Ref No.	Qty	Part#	Description	Price
23	1	0700-2500C1	Gerotor Housing (HM1C) 1/2" Wide	\$101.12
23	1	0703-2500C1	Gerotor Housing (HM4C) 5/16" Wide	\$97.15
23	1	0702-2500C1	Gerotor Housing (HM3C) 1" Wide	\$158.62
23	1	0704-2500C1	Gerotor Housing (HM5C) 5/8" Wide	\$125.76
24	1	1600-0045	Dowel Pin (HM2C & HM4C)	\$11.90
24	1	1600-0044	Dowel Pin (HM1C & HM5C)	\$15.30
24	1	1600-0052	Dowel Pin (HM3C)	\$22.09
25	1	1600-0042	Dowel Pin (HM2C & HM4C)	\$11.90
25	1	1600-0037	Dowel Pin (HM1C & HM5C)	\$15.30
25	1	1600-0068	Dowel Pin (HM3C)	\$9.86
26	1	3900-0022	Gerotor (HM1C)	\$159.75
26	1	3900-0023	Gerotor (HM2C)	\$146.16
26	1	3900-0024	Gerotor (HM3C)	\$205.07
26	1	3900-0025	Gerotor (HM4C)	\$157.49
26	1	3900-0048	Gerotor (HM5C)	\$163.15
27	1	0251-2500C2	Motor End Plate (Includes Main Bearing)	\$142.76
28	4	2270-0039	Washer	\$ .79
29	4	2220-0045	Cap Screw (HM2C & HM4C)	\$1.19
29	4	2220-0021	Cap Screw (HM1C)	\$1.42
29	4	2220-0044	Cap Screw (HM3C)	\$2.66
29	4	2220-0032	Cap Screw (HM5C)	\$3.63
30	2	1720-0108	O-Ring	\$ .85
31	1	3360-0021	Pressure Port Adapter	\$10.88
32	1	3260-0068	Poppet	\$4.14
33	1	1820-0038	Retaining Ring	\$2.83
34	1	3320-0049A	Tank Port Adapter	\$35.97
35	1	3220-0029	Bypass Adjusting Screw	\$7.48
36	1	1700-0047	Gasket	\$3.51
37	1	2270-0027	Washer	\$1.47
38	1	2250-0038	Lock Nut	\$ .79
39	1	1610-0032	Roll Pin (HM2C & HM4C)	\$6.74
39	1	1610-0031	Roll Pin (HM1C & HM5C)	\$3.80
39	1	1610-0055	Roll Pin (HM3C)	\$22.94
40	1	1610-0012	Woodruff Key (9303C)	\$1.02

# PUMP REPLACEMENT PARTS



HYDRAULIC DRIVEN - 9306C

When motor size is unknown, measure the Gerotor Housing (Ref# 23) for correct motor.  
 HM1C - 1/2" Wide  
 HM3C - 1" Wide  
 HM5C - 5/8" Wide



**List Price**  
Please Apply Discount

Hydraulic Motor Part Numbers		
Part#	Motor	Price
2500-0009C	HM1C Model	\$541.57
2500-0011C	HM3C Model	\$650.34
2500-0018C	HM5C Model	\$541.57

Part#	Description	Price
3430-0332	Repair Parts Kit, Includes O-Ring (Ref#5), Rubber Gasket (Ref#6), and Mechanical Seal (Ref#7)	\$49.29
3430-0589	Silicon Carbide Seal Kit, Includes O-ring (Ref#5), and Silicon Carbide Mechanical Seal (Ref#7)	\$193.74
3430-0178	Parts Kit, Includes Ball Bearing (Ref#13), Motor Shaft Seal (Ref#15), Thread Seal Gasket (Ref#36), and washer (Ref#37); (2) Motor Housing O-Rings (Ref#22), and (2) Port Adapter O-Rings (Ref#30)	\$59.48

Ref No.	Qty	Part#	Description	Price
1	4	2406-0007	Drain / Vent Plug	\$ .79
2	1	0154-9200C1	Pump Casing (Volute)(Includes a Stainless Steel Wear Ring)	\$297.98
2A	1	0157-9200C	Pump Casing (Universal Flange)	\$176.75
3	1	2253-0002	Impeller Nut	\$4.82
4	1	0401-9200P2	Impeller	\$89.22
5	1	1720-0083	O-Ring	\$2.89
6	1	1700-0100	Rubber Gasket	\$4.14
7	1	2120-0009	Mechanical Seal (Viton)	\$43.62
7	1	3430-0589	Mechanical Seal (Silicon Carbide)	\$193.74
8	1	0750-9300C	Mounting Flange	\$114.43
9	4	2210-0020	Hex Head Cap Screw	\$ .74
10	1	1410-0056	Slinger Ring	\$1.02
11	1	1820-0013	Retaining Ring	\$ .96
12	1	1810-0014	Snap Ring	\$ .85
13	1	2000-0010	Ball Bearing	\$9.12
14	1	1410-0073	Spacer	\$6.12
15	1	2104-0005	Shaft Seal	\$43.34
16	1	1410-0074	Seal Spacer	\$1.02
17	1	2029-0014	Thrust Bearing Assembly - Consist of: (1) Thrust Bearing & (2) Thrust Bearing Races	\$24.64
18	1	1810-0026	Snap Ring	\$ .85
19	1	0510-2500	Shaft (HM3C) 7 1/2" Long	\$296.85
19	1	0511-2501	Shaft (HM1C & HM5C) 7" Long	\$197.14
20	1	0151-2500C	Motor Body (Includes Main Bearing)	\$105.94
21	4	2210-0005	Hex Head Cap Screw	\$ .57
22	2	1720-0110	O-Ring	\$ .96
23	1	0700-2500C1	Gerotor Housing (HM1C) 1/2" Wide	\$101.12

Ref No.	Qty	Part#	Description	Price
23	1	0702-2500C1	Gerotor Housing (HM3C) 1" Wide	\$158.62
23	1	0704-2500C1	Gerotor Housing (HM5C) 5/8" Wide	\$125.76
24	1	1600-0052	Dowel Pin (HM3C)	\$22.09
24	1	1600-0044	Dowel Pin (HM1C & HM5C)	\$15.30
25	1	1600-0068	Dowel Pin (HM3C)	\$9.86
25	1	1600-0037	Dowel Pin (HM1C & HM5C)	\$15.30
26	1	3900-0022	Gerotor (HM1C)	\$159.75
26	1	3900-0024	Gerotor (HM3C)	\$205.07
26	1	3900-0048	Gerotor (HM5C)	\$163.15
27	1	0251-2500C2	Motor End Plate (Includes Main Bearing)	\$142.76
28	4	2270-0039	Washer	\$ .79
29	4	2220-0044	Cap Screw (HM3C)	\$2.66
29	4	2220-0021	Cap Screw (HM1C)	\$1.42
29	4	2220-0032	Cap Screw (HM5C)	\$3.63
30	2	1720-0108	O-Ring	\$ .85
31	1	3360-0021	Pressure Port Adapter	\$10.88
32	1	3260-0068	Poppet	\$4.14
33	1	1820-0038	Retaining Ring	\$2.83
34	1	3320-0049	Tank Port Adapter	\$35.97
35	1	3222-0029	Bypass Adjusting Screw	\$7.48
36	1	1700-0047	Gasket	\$3.51
37	1	2270-0027	Washer	\$1.47
38	1	2250-0038	Lock Nut	\$ .79
40	1	1610-0055	Roll Pin (HM3C)	\$22.94
40	1	1610-0031	Roll Pin (HM1C & HM5C)	\$3.80
41	1	1610-0012	Woodruff Key	\$1.02
42	1	2270-0071	Washer	\$ .96