

PTO BELT DRIVEN CENTRIFUGAL PUMPS



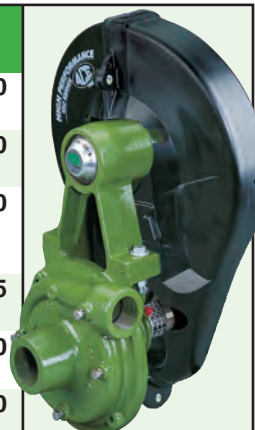
1 1/4" SUCTION x 1" DISCHARGE		Max. GPM	Max. PSI	Price
Part#	Description			
PTOC-600-6SP	Cast iron centrifugal for direct mount on 6 spline, 1 3/8", 540 RPM PTO shaft	65	80	\$993.95
PTOC-600-QC	Cast iron centrifugal with quick coupler for direct mount on 6 spline, 1 3/8" 540 RPM PTO shaft	65	80	\$1,004.25
PTOC-600-B	Cast iron centrifugal with 1" stub shaft and mounting base for trailer mount with a 540 RPM drive shaft	65	80	\$1,004.25
PTOC-1000-21SP	Cast iron centrifugal for direct mount on 21 spline, 1 3/8", 1000 RPM PTO shaft	65	80	\$1,019.70
PTOC-1000-20SP	Cast iron centrifugal for direct mount on 20 spline, 1 3/4", 1000 RPM PTO shaft	65	80	\$1,045.45
PTOC-1000-B	Cast iron centrifugal with 1" stub shaft and mounting base for trailer mount with a 1000 RPM drive shaft	65	80	\$1,004.25
FMC-MIA	Cast iron centrifugal pump only for PTOC models			\$458.35



PARTS BREAKDOWN ON PAGE 160

150 SERIES HIGH PERFORMANCE

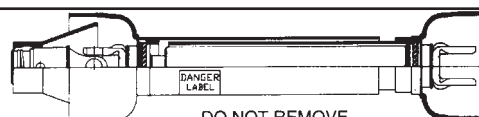
1 1/2" SUCTION x 1 1/4" DISCHARGE		Max. GPM	Max. PSI	Price
Part#	Description			
PTOC-150-600-6SP	Cast iron centrifugal for direct mount on 6 spline, 1 3/8", 540 RPM PTO shaft	100	110	\$1,122.70
PTOC-150-600-6SPQC	Cast iron centrifugal with quick coupler for direct mount on 6 spline, 1 3/8", 540 RPM PTO shaft	100	110	\$1,133.00
PTOC-150-600-B	Cast iron centrifugal with 1" stub shaft and mounting base for trailer mount with a 540 RPM drive shaft	100	110	\$1,133.00
PTOC-150-1000-21SP	Cast iron centrifugal for direct mount on 21 spline, 1 3/8", 1000 RPM PTO shaft	100	110	\$1,148.45
PTOC-150-1000-20SP	Cast iron centrifugal for direct mount on 20 spline, 1 3/4", 1000 RPM PTO shaft	100	110	\$1,174.20
PTOC-150-1000-B	Cast iron centrifugal with 1" stub shaft and mounting base for trailer mount with a 1000 RPM drive shaft	100	110	\$1,133.00
FMC-150-MIA	Cast iron centrifugal pump only for PTOC-150 models			\$468.65



PARTS BREAKDOWN ON PAGE 161

OPTIONAL FEATURES FOR PTO BELT DRIVEN PUMPS

OPTION	DESCRIPTION
-SS	Stainless steel fitted package including nut, capscrews, and pipe plugs.
SC	Silicon carbide shaft seal for abrasives.
-CI	Cast iron impeller.
150F	Flanged pump ports for 150 series models: Inlet 1 1/2" NPT & 220 Full Port Flange Outlet 1 1/4" NPT & 200 Standard Port Flange



DO NOT REMOVE THE SAFETY SHIELD.

PTO EXTENSIONS

Part#	RPM	Price
PTO-EXT-540	540 RPM	\$298.00
PTO-EXT-1000	1000 RPM	\$298.00

PTO Shaft Options



-6SPQC



-6SP



-20SP
1 3/4"



-21SP
1 3/8"

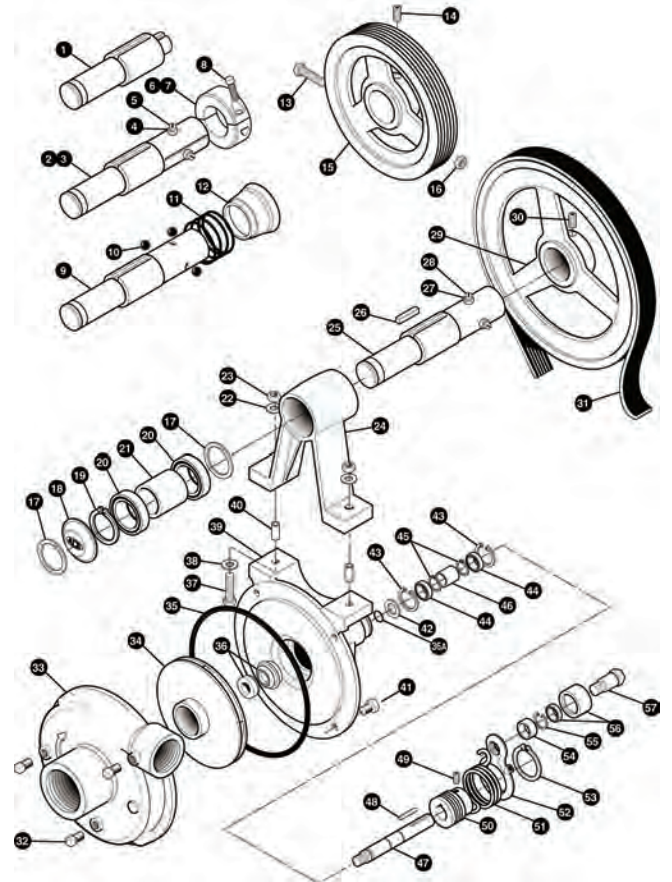


-B

PTO BELT DRIVEN REPLACEMENT PARTS



List Price
Please Apply Discount



Ref No.	Part#	Qty.	Description	Price
1	BAC-10-S	1	1" Tumblerod stub drive shaft	\$232.27
2	BAC-10-175-20SP	1	1-3/4" 20 Tooth PTO spline drive shaft	\$351.23
3	BAC-10-21SP	1	1 3/8" 21 Tooth PTO spline drive shaft	\$305.91
4	40960	3	3/8" NC jam nut	\$.57
5	BAC-40	3	3/8" NC slotted set screw	\$.85
6	BAC-11-175	1	Locking collar, split ring	\$141.63
7	BAC-11	1	Locking collar, split ring (for BAC-10-21SP shaft)	\$118.97
8	BAC-11-1	1	Set screw (for BAC-11 and BAC-11-175 locking collar)	\$1.13
9	BAC-10-6SP-QC	1	1-3/8" 6 Tooth PTO spline drive shaft for quick coupler	\$249.26
10	BAC-83-QC	3	Ball for quick coupler	\$1.70
11	BAC-82-QC	1	Spring for quick coupler	\$11.33
12	BAC-81-QC	1	Ball retainer sleeve for quick coupler	\$30.59
13	41250	1	5/16" NC x 3-1/4" hex head cap screw	\$2.27
14	41300	2	3/8" NC x 5/8" allen head set screw	\$.85
15	BAC-30-10-M	1	6.375" P.D.x2" Bore Poly-V pulley (for PTOC-1000-21SP&B)	\$186.95
15	BAC-30-175	1	6.375" P.D.x2-3/8" Bore Poly-V pulley (for PTOC-1000-20SP)	\$215.27
16	BAC-63	1	5/16" NC self locking nut for tumblerod drive	\$.57
17	BAC-34	2	Internal snap ring, BAC-15 bearing housing	\$3.40
18	BAC-27-175	1	Name plate (for PTOC-1000-20SP)	\$12.46
18	BAC-27-M-10	1	Name plate (for PTOC-1000-21SP)	\$12.46
18	BAC-27-P-10	1	Name plate (for PTOC-600)	\$12.46
19	BAC-35	1	External snap ring, BAC-10 drive shaft	\$1.13
20	BAC-31-1	2	Sealed ball bearing, BAC-10 drive shaft	\$52.12
21	BAC-38-1	1	Bearing spacer, BAC-10 shaft	\$22.66
22	BAC-44	2	3/8" Lock washer	\$.57
23	BAC-45	2	3/8" NC Hex nut	\$.28
24	BAC-15	1	PTO drive shaft bearing housing	\$186.95
24	BAC-15-B	1	Tumblerod drive shaft bearing housing with mounting base	\$249.26
25	BAC-10-6SP	1	1-3/8" 6 Tooth PTO spline drive shaft	\$243.60
26	BAC-51	1	3/8" x 1/2" x 1-1/2" key, PTO drive shaft	\$4.53
27	40960	3	3/8" NC jam nut	\$.57
28	BAC-40	3	3/8" NC slotted set screw	\$.85
29	BAC-30-10	1	10.6" P.D. x 2" bore Poly-V pulley, 10 groove (for PTOC-600)	\$203.94
30	41300	2	3/8" NC x 5/8" allen head set screw	\$.85
31j	BAC-28-10	1	Poly-V Belt, 10 groove (for PTOC-600)	\$50.99
31k	BAC-28-10-M	1	Poly-V Belt, 10 groove (for PTOC-1000)	\$50.99
32	BAC-53	3	1/8" NPT Pipe plug	\$.57
32	41120	3	1/8" NPT Pipe plug, stainless steel (optional)	\$4.53

Ref No.	Part#	Qty.	Description	Price
33	BAC-12	1	Volute 1-1/4" x 1", cast iron	\$198.28
34	BAC-26-CI	1	Impeller, cast iron, left hand thread (optional)	\$147.29
34	BAC-26-VALOX	1	Impeller, Valox, left hand thread	\$67.98
35jklm	BAC-4-A	1	"O" Ring, volute seal	\$7.93
36m	BAC-7SC	1	Silicon carbide mechanical seal (includes 40160)	\$155.22
36jkl	BAC-7V	1	Viton mechanical seal (includes 40160 "O" Ring)	\$47.59
36Ajklm	40160	1	"O" ring for mechanical seal	\$1.13
37	BAC-42	2	3/8" NC x 2" Hex head cap screw	\$1.70
38	BAC-43	2	3/8" Flat washer	\$.45
39	BAC-14-MIA	1	Mounting frame, machined for idler arm	\$232.27
40	BAC-15-PIN	2	Alignment pin	\$1.13
41	40930	4	3/8" NC x 3/4" hex head cap screw, stainless steel (optional)	\$2.83
41	40950	4	3/8" NC x 3/4" hex head cap screw	\$.57
42	BAC-54	1	Slinger	\$1.70
43	BAC-33	2	Internal snap ring for mounting frame	\$2.27
44	BAC-37	2	Sealed ball bearing for pump shaft	\$21.53
45	BAC-32	2	External snap ring for driven pump shaft	\$.57
46	BAC-32-S	1	Spacer for pump shaft	\$6.80
47	BAC-6-SS	1	5/8" Driven shaft, left hand course thread, stainless steel	\$90.64
48	BAC-50	1	3/16" x 3/16" x 1-1/4" key	\$1.42
49	BAC-57	2	5/16" NC x 5/16" allen head set screw for BAC-29-10 pulley	\$.68
50	BAC-29-10-1.50	1	1.5" P.D. x 5/8" bore Poly-V pulley, 10 groove	\$71.38
51	BAC-5	1	Idler mounted torsion spring	\$20.39
52	BAC-13	1	Idler arm	\$73.65
53	BAC-36	1	External snap ring, BAC-13 idler arm	\$2.27
54	BAC-46	1	5/8" Spacer	\$15.86
55	41070	1	Retainer ring	\$.57
56	BAC-55	1	Idler bearing and outer roller assembly	\$49.85
57	BAC-47	1	5/8" NC x 2 1/8" hex head idler cap screw	\$6.80
#	BAC-52	1	1/4" cold shut, torque chain anchor	\$3.40
#	BAC-58	1	Zerk fitting, 1/4" NPT, for idler arm	\$2.83
#	BAC-55-A	-	Idler arm assembly (includes 52 through 57 and BAC-58)	\$146.72
#	BGKB	-	Belt and shaft guard kit for all PTOC pumps	\$113.53
j	RK-PTOC-600	-	Repair kit for 600 RPM models, includes belt, seal, and "O" ring	\$106.50
k	RK-PTOC-1000	-	Repair kit for 1000 RPM, includes belt, seal, and "O" ring	\$106.50
l	RK-FMC	-	Repair kit for pump only, includes seal, and "O" ring	\$55.52
m	RK-FMCSC	-	Repair kit for pump only, includes silicon carbide seal, and "O" ring	\$163.15

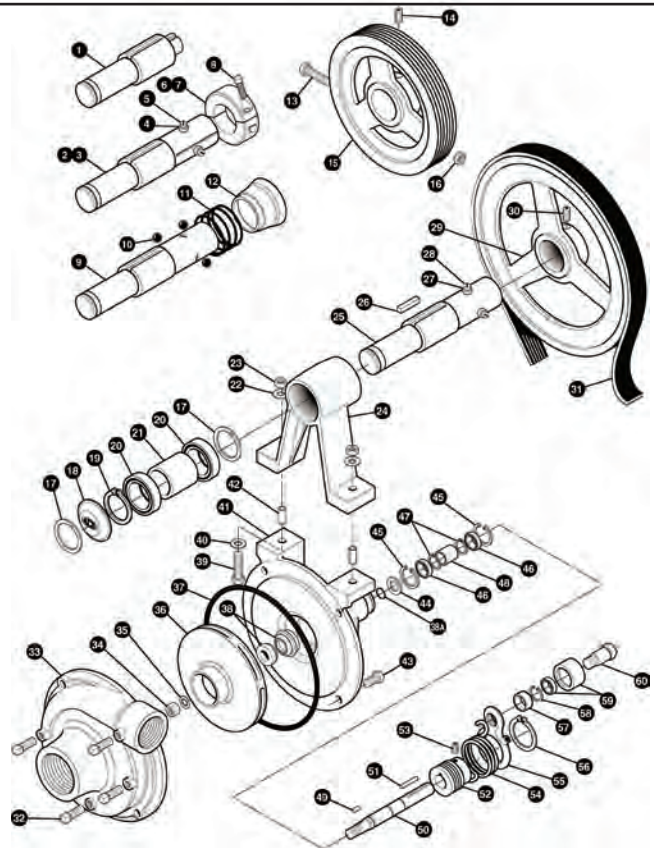
PTO BELT DRIVEN REPLACEMENT PARTS



150 SERIES HIGH PERFORMANCE



List Price
Please Apply Discount



Ref No.	Part#	Qty.	Description	Price
1	BAC-10-S	1	1" Tumblerod stub drive shaft	\$232.27
2	BAC-10-175-20SP	1	1-3/4" 20 Tooth PTO spline drive shaft	\$351.23
3	BAC-10-21SP	1	1 3/8" 21 Tooth PTO spline drive shaft	\$305.91
4	40960	3	3/8" NC jam nut	\$.57
5	BAC-40	3	3/8" NC slotted set screw	\$.85
6	BAC-11-175	1	Locking collar, split ring (for BAC-10-175-20SP shaft)	\$141.63
7	BAC-11	1	Locking collar, split ring (for BAC-10-21SP shaft)	\$118.97
8	BAC-11-1	1	Set screw (for BAC-11 and BAC-11-175 locking collar)	\$1.13
9	BAC-10-6SP-QC	1	1-3/8" 6 Tooth PTO spline drive shaft for quick coupler	\$249.26
10	BAC-83-QC	3	Ball for quick coupler	\$1.70
11	BAC-82-QC	1	Spring for quick coupler	\$11.33
12	BAC-81-QC	1	Ball retainer sleeve for quick coupler	\$30.59
13	41250	1	5/16" NC x 3-1/4" hex head cap screw	\$2.27
14	41300	2	3/8" NC x 5/8" allen head set screw	\$.85
15	BAC-30-10-M-150	1	7.9" P.D. x 2" Bore Poly-V pulley (for PTOC-150-1000-21SP)	\$209.61
15	BAC-30-175-150	1	7.9" P.D.x2-3/8" Bore PolyV pulley(for PTOC-150-1000-20SP)	\$226.60
16	BAC-63	1	5/16" NC self locking nut for tumblerod drive	\$.57
17	BAC-34	2	Internal snap ring, BAC-15 bearing housing	\$3.40
18	BAC-27-150-175-M	1	Name plate (for PTOC-150-1000-20SP)	\$12.46
18	BAC-27-150-M	1	Name plate (for PTOC-150-1000-21SP)	\$12.46
18	BAC-27-150-600	1	Name plate (for PTOC-150-600)	\$12.46
19	BAC-35	1	External snap ring, BAC-10 drive shaft	\$1.13
20	BAC-31-1	2	Sealed ball bearing, BAC-10 drive shaft	\$52.12
21	BAC-38-1	1	Bearing spacer, BAC-10 shaft	\$22.66
22	BAC-44	2	3/8" Lock washer	\$.57
23	BAC-45	2	3/8" NC Hex nut	\$.28
24	BAC-15	1	PTO drive shaft bearing housing	\$186.95
24	BAC-15-B	1	Tumblerod drive shaft bearing housing with mounting base	\$249.26
25	BAC-10-6SP	1	1-3/8" 6 Tooth PTO spline drive shaft	\$243.60
26	BAC-51	1	3/8" x 1/2" x 1-1/2" key, PTO drive shaft	\$4.53
27	40960	3	3/8" NC jam nut	\$.57
28	BAC-40	3	3/8" NC slotted set screw	\$.85
29	BAC-30-10-150	1	11.6" P.D.x2" Bore Poly-V pulley,10 groove(for 600 RPM)	\$220.94
30	41300	2	3/8" NC x 5/8" allen head set screw	\$.85
31j	BAC-28-10-150	1	Poly-V Belt, 10 groove (for PTOC-150-600)	\$56.65
31k	BAC-28-10M-150	1	Poly-V Belt, 10 groove (for PTOC-150-1000)	\$62.32
32	BAC-53	3	1/8" NPT Pipe plug	\$.57
32	41120	3	1/8" NPT Pipe plug, stainless steel (optional)	\$4.53
33	BAC-12-150	1	Volute 1-1/2" x 1-1/4", cast iron	\$243.60
34	BAC-23-A	1	Nut, 3/8" NF hex, cad plated lock nut	\$2.83

Ref No.	Part#	Qty.	Description	Price
35	BAC-24-HYD-SS	1	Washer, 3/8", stainless steel	\$1.70
36	BAC-26-150-CI	1	Impeller, cast iron with keyway(optional)	\$158.62
36	BAC-26-150-P	1	Impeller, with keyway, thermoplastic	\$67.98
37jklm	BAC-4-150	1	"O" Ring volute seal	\$7.93
38m	BAC-7SC	1	Silicon carbide mechanical seal (includes 40160)	\$155.22
38jl	BAC-7V	1	Viton mechanical seal (includes 40160 "O" Ring)	\$47.59
38Ajklm	40160	1	"O" ring for mechanical seal	\$1.13
39	BAC-42	2	3/8" NC x 2" Hex head cap screw	\$1.70
40	BAC-43	2	3/8" Flat washer	\$.45
41	BAC-14-150-MIA	1	Mounting frame, machined for idler arm	\$283.25
42	BAC-15-PIN	2	Alignment pin	\$1.13
43	40930	4	3/8" NC x 3/4" hex head cap screw, stainless steel	\$2.83
43	40950	4	3/8" NC x 3/4" hex head cap screw	\$.57
44	BAC-54	1	Slinger	\$1.70
45	BAC-33	2	Internal snap ring for mounting frame	\$2.27
46	BAC-37	2	Sealed ball bearing for pump shaft	\$21.53
47	BAC-32	2	External snap ring for driven pump shaft	\$.57
48	BAC-32-S	1	Spacer for pump shaft	\$6.80
49	BACH-25	1	Key for impeller, 1/8" x 1/8" x 1/2"	\$1.13
50	BAC-6-150/200-SS	1	5/8" Driven Shaft, with keyway, stainless steel	\$84.98
51	BAC-50	1	3/16" x 3/16" x 1-1/4" key	\$1.42
52	BAC-29-10-1.35	1	1.35" P.D.x5/8" Bore Poly-Vpulley,10 groove(PTOC-150-600)	\$71.38
52	BAC-29-10-1.7	1	1.7" P.D.x5/8" Bore Poly-Vpulley,10 groove(PTOC-150-1000)	\$71.38
53	BAC-57	2	5/16" NC x 5/16" allen head set screw for BAC-29-10 pulley	\$.68
54	BAC-5-150	1	Idler mounted torsion spring for 150 series	\$23.79
55	BAC-13	1	Idler arm	\$73.65
56	BAC-36	1	External snap ring, BAC-13 idler arm	\$2.27
57	BAC-46	1	5/8" Spacer	\$15.86
58	41070	1	Retainer ring	\$.57
59	BAC-55	1	Idler bearing and outer roller assembly	\$49.85
60	BAC-47	1	5/8" NC x 2-1/8" hex head idler cap screw	\$6.80
#	BAC-52	1	1/4" cold shut, torque chain anchor	\$3.40
#	BAC-58	1	Zerk fitting, 1/4" NPT, for idler arm	\$2.83
#	BAC-55-A		Idler arm assembly (includes 55 through 60 and BAC-58)	\$146.72
#	BGKB-150		Belt and shaft guard kit for all PTOC-150 pumps	\$120.32
j	RK-PTOC-150-600		Repair kit for 600 RPM models, includes belt, seal, and "O" ring	\$112.19
k	RK-PTOC-150-1000		Repair kit for 1000 RPM, includes belt, seal, and "O" ring	\$117.83
l	RK-FMC-150		Repair kit for pump only, includes seal, and "O" ring	\$55.52
m	RK-FMCSC-150		Repair kit for pump only, includes silicon carbide seal, and "O" ring	\$163.15
#	FMC-150-MIA		Pump end only, machined to accept idler arm	\$468.65