

TeeJet Solenoid Valves



AA144A Valve for Pressures up to 100 PSI

- 10 GPM flow with only 5 PSI pressure drop.
- Can be ganged with other 144A DirectoValve control valves.
- 2.5 amp current draw.
- Polypropylene body for chemical resistance.
- Fabric reinforced diaphragms.
- 3/4" inlet, 1/2" outlet
- Also available as 2 or 3 unit assembly.

Part#		Price
AA144A-1	1 Solenoid	\$165.34
AA144A-2	Group of 2 Solenoids	\$334.95
AA144A-3	Group of 3 Solenoids	\$504.60

Parts Breakdown Below



AA145H Control Valves

- For pressures to 100 PSI;
- 15 GPM flow with 5 PSI pressure drop.
- Can be ganged with other 145H DirectoValve control valves.
- 2.9 amp current draw
- Fiberglass reinforced Nylon body.

Part#		Price
AA145H-1	1 Solenoid	\$378.58

Parts Breakdown Below



AA144A-1-3 Control Valves

The 3-way solenoid-operated DirectoValve control valve bypasses boom float to maintain constant spraying pressure when one or more boom sections are shut off. To maintain pressure with a 23520 Throttling Valve, Outlet 2 must be throttled to match the total capacity of the nozzles on that boom section.

Part#		Price
AA144A-1-3	1 Solenoid	\$224.97



AA144P Control Valves

- 10 GPM flow with 5 PSI pressure drop.
- 2.5 amp current draw
- Polypropylene body for chemical resistance.
- Encapsulated coil and magnetic circuit.

Part#		Price
AA144P-1	1 Solenoid	\$227.86



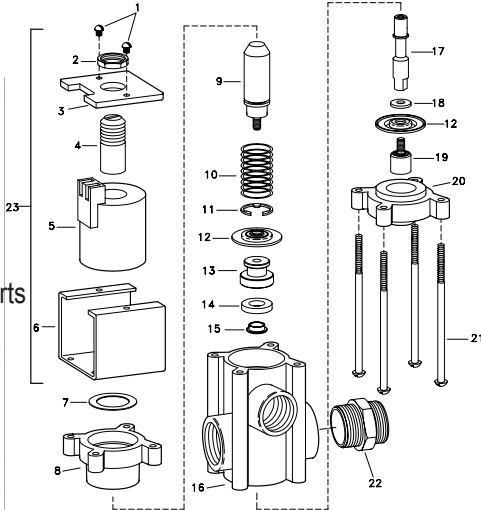
Type 23520

- Pressures to 150 PSI
- 1/2" and 3/4" NPT conn.
- 10 PSI pressure drop at 6 GPM flow rate for 1/2"; 18 GPM for 3/4" size.

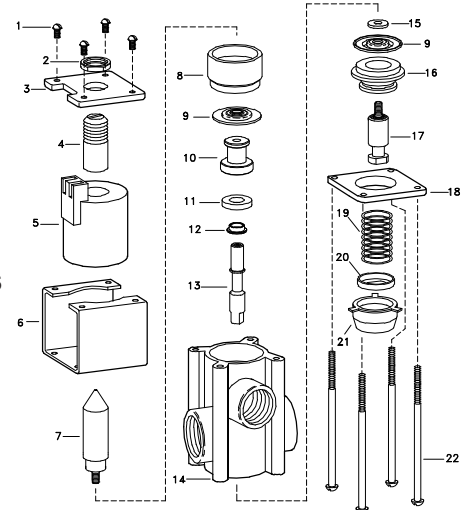
For Regulating Bypass on AA144A-1-3

Part#		Price
23520-1/2-PP	1/2"	\$31.90
23520-3/4-PP	3/4"	\$31.90

TeeJet AA144A-1 Replacement Parts



TeeJet AA145H-1 Replacement Parts



Item No.	Part No.	Description	Price
1	CP14933-SS	Screw, Stainless Steel (2 Req'd)	\$1.63
2	CP15168-IENP	Jam Nut	\$5.53
3	CP15166-I	Coil Cover	\$4.83
4	CP15161-IENP	Armature Stop	\$11.82
5	CP15163-NYB	Coil Assembly, Nylon Encapsulated	\$54.71
6	CP14927-3-I	Strap, Steel, Nitrotec Finish	\$8.99
7	CP15169-302SS	Washer, Stainless Steel	\$2.11
8	CP15164-NYB	Upper Diaphragm Housing, Nylon	\$5.75
9	CP15170-IENP	Armature	\$21.83
**10	CP15167-302SS	Spring, Stainless Steel	\$5.77
11	CP14813-1-IENP	Retaining Ring	\$2.17
• 12	CP36101-EPR	Diaphragm, EPDM (Standard)	\$7.73
**12	CP36101-VI	Diaphragm, Viton (Optional)	\$17.45
13	CP14807-SS	Seat Washer Retainer, Stainless Steel	\$17.65
• 14	CP14802-EPR	Seat Washer, EPDM (Standard)	\$5.97
**14	CP14802-VI	Seat Washer, Viton (Standard)	\$21.03
15	CP14811-SS	Spacer, Stainless Steel	\$5.08
16	CP14801-PP	Body, Polypropylene (NPT)	\$15.68
17	CP14812-SS	Stem, Stainless Steel	\$19.97
18	CP14806-SS	Washer, Stainless Steel	\$5.81
19	CP15162-SS	Lower Diaphragm Piston, Stainless Steel	\$11.10
20	CP15165-NYB	Lower Diaphragm Housing	\$21.53
21	CP14819-SS	Screw, Stainless Steel (4 Req'd)	\$1.93
22	CP21737-NYB	Connecting Nipple (Use for Multiple Units)	\$4.99
23	15905	Coil Sub-Assembly (Contains items 1-6)	\$65.11
PK-AB144A-1-KIT		Spare Parts Kit (Includes items marked with •)	\$29.67
PK-AB144A-1-VI-KIT		Spare Parts Kit (Includes items marked with **)	\$44.40

Item No.	Part No.	Description	Price
1	CP7698-SS	Screw, Stainless Steel (4 Req'd)	\$1.93
2	CP18602-IENP	Jam Nut, Steel	\$12.96
3	CP18603-1-I	Coil Cover	\$14.52
4	CP18618-IENP	Armature Stop	\$38.02
5	CP18605-NYB	Coil Assembly, Nylon Encapsulated	\$116.01
6	CP18623-1-I	Strap, Sub-Assembly	NA
7	CP18606-IENP	Armature, Steel	\$59.65
8	CP18607-NYB	Upper Diaphragm Housing, Nylon	\$37.69
• 9	CP18621-EPR	Diaphragm, EPDM (2 Req'd)(145H-1)	\$12.48
* 9	CP18621-VI	Diaphragm, Viton (2 Req'd)(145H-1-VI)	\$24.66
10	CP18610-SS	Seat Washer Retainer, Stainless Steel	\$21.08
*11	CP18611-EPR	Seat Washer, EPDM (145H-1)	\$11.59
*11	CP18611-VI	Seat Washer, Viton (145H-1-VI)	\$17.94
12	CP18612-SS	Spacer, Stainless Steel	\$4.32
13	CP18613-SS	Stem, Stainless Steel	\$20.92
14	CP18601-1-NYB	Body, Nylon	\$25.36
15	CP18609-SS	Washer, Stainless Steel	\$6.36
16	CP18614-NYB	Lower Diaphragm Housing, Nylon	\$38.85
17	CP18617-SS	Lower Diaphragm Piston, Stainless Steel	\$15.38
18	CP18615-I	Bottom Plate	NA
19	CP25831-302SS	Spring, 302 Stainless Steel	\$13.61
20	CP18620-304SS	Spring Retainer, 304 Stainless Steel	\$7.87
**21	CP18622-EPR	Boot, EPDM Rubber	\$10.24
22	CP18619-SS	Screw, Stainless Steel (4 Req'd)	\$5.52
PK-AB145H-KIT		Spare Parts Kit (Includes items marked with *)	\$53.48
AB145H-VI-KIT		Spare Parts Kit (Includes items marked with •)	\$76.62



NEW

TeeJet e-ChemSaver Electric Nozzle Shut-Off



Part#	Description	Price
55280-1-05	e-ChemSaver (For Nozzle Bodies 17560/24216) <i>Includes e-ChemSaver & 2 Wire 0.5 Meter Mini-Din Connector with Flying Leads.</i>	\$82.45
55280-2-05	e-ChemSaver (For Nozzle Bodies 350/360) <i>Includes e-ChemSaver & 2 Wire 0.5 Meter Mini-Din Connector with Flying Leads.</i>	\$82.45

Features:

- Electrically Operated Nozzle Shut-Off
- Flow: 0.6 GPM at 5 PSI Pressure Drop
- Stainless Steel and Viton wetted parts
- Maximum current draw: 0.75 amps
- Maximum Pressure Rating: 100 PSI
- Response Time: 1/4 Second
- Coil Rating: 7 watts at 12 volts
- Works with most Chem Saver DCV nozzle bodies

TIR Solenoid Valves

Texas Industrial Remcor, Inc.

List Price
Please Apply Discount



1999A Series

- Series 1999A
- 12-Volt DC
 - 1" Inlet, 3/4" FPT Boom Outlet
 - 1" MPT Bypass Line
 - 1.1 amp current draw per valve
 - Viton diaphragm & seals
 - Aflas diaphragm & seals optional
 - Max Pressure: 175 PSI
 - Max Flow: 18 GPM



2100B Series

- Series 2100B
- 12-Volt DC
 - 3/4" Inlet, 1/2" FPT Boom Outlet
 - 3/4" MPT Bypass Line
 - 2.4 amps per valve at 12V
 - Viton diaphragm & seals
 - Aflas diaphragm & seals optional
 - Max Pressure: 125 PSI
 - Max Flow: 10 GPM



2500B Series

- Series 2500B
- 12-Volt DC
 - 3/4" Inlet, 1/2" FPT Boom Outlet
 - 3/4" MPT Bypass Line
 - 2 amps per valve at 12V
 - Viton diaphragm & seals
 - Max Pressure: 100 PSI
 - Max Flow: 10 GPM

Part#	Description	Part#	Price
1999A-1	Solenoid Shutoff Valve		\$154.90
2045	Repair Kit, Old Style Viton		\$94.53
2517	Repair Kit "A", Viton		\$91.84
2518	Repair Kit "A", Aflas		\$101.02
2515	Coil Assembly		\$127.83

Part#	Description	Part#	Price
2100B	Solenoid Shutoff Valve		\$137.47
2252	Repair Kit, Aflas		\$45.70
2255	Repair Kit, Viton		\$40.71

Part#	Description	Part#	Price
2500B	Solenoid Shutoff Valve		\$112.08
2352	Repair Kit		\$30.80



2201A Solenoid Valves

Series 2201A 12-Volt DC Electric Boom Shutoff Valves have 1/4" NPT female inlet and outlet. 1 GPM; 125 PSI

Part#	Price
2201A	\$90.12



2203A Solenoid Valves

Series 2203A 12-Volt DC Electric Boom Shutoff Valves have 1/4" NPT female inlet and outlet. 1/2 GPM; 175 PSI

Part#	Price
2203A	\$74.78



2204A 3-Way Solenoid Valves

Series 2203A 12-Volt DC Electric Boom Shutoff Valves have 1/4" NPT female inlet and outlet. 1/2 GPM; 55 PSI

Part#	Price
2204A	\$90.12



2601A Solenoid Valves

Fence Row Solenoid Series 2203A 12-Volt DC solenoid Valve. 1/4" NPT female and nozzle body outlet 1 GPM; 125 PSI

Part#	Price
2601A	\$97.99