



ROLLER PUMPS

Part#	Description	Max. RPM	Max. GPM	Max. PSI	Price
1200C	Cast Iron 4-roller pump w/ Super Rollers, Buna-N seals 1' solid shaft, 1 1/2" NPT ports	800	74	150	\$994.98
3430-0207	Locking Collar Kit for Model 1200C				\$46.17
3430-0374	1200C Roller Pump Repair Kit - Includes Super Rollers, Body O-Ring and 2 Viton Seals				\$226.60

**PARTS BREAKDOWN
ON PAGE 190**

1502C	Cast Iron 6-roller pump w/ Super Rollers, Buna-N seals	1000	62.1	200	\$613.88
1502C-R	15/16" solid shaft, 1 1/2" NPT ports				\$622.12
1502N	Ni-Resist 6-roller pump w/ Super Rollers, Buna-N seals	1000	62.1	200	\$1,005.28
1502N-R	15/16" solid shaft, 1 1/2" NPT ports				\$1,013.52
1502XL	SilverCast 6-roller pump w/ Super Rollers, Viton seals	1000	62.1	200	\$1,380.20
1502XL-R	15/16" solid shaft, 1 1/2" NPT ports				\$1,388.44
3430-0387	1502C & 1502N Roller Pump Repair Kit				\$74.49
3430-0386	1502XL Roller Pump Repair Kit- Includes Super Rollers, Body O-Ring and 2 Viton Seals				\$76.76



1700C	Cast Iron 5-roller pump w/ Super Rollers, Viton Seals	1000	45	200	\$398.61
1700C-R	15/16" solid shaft, 1" NPT ports				\$406.85
1700N	Ni-Resist 5-roller pump w/ Super Rollers, Viton Seals	1000	45	200	\$817.82
1700N-R	15/16" solid shaft, 1" NPT ports				\$826.06
1700XL	SilverCast 5-roller pump w/ Super Rollers, Viton Seals	1000	45	200	\$1,101.07
1700XL-R	15/16" solid shaft, 1" NPT ports				\$1,109.31
3430-0437	1700C, 1700N & 1700XL Roller Pump Repair Kit- Includes Super Rollers, Body O-Ring and 2 Viton Seals				\$68.55



6500C	Cast Iron 6-roller pump w/ Super Rollers, Viton Seals	1200	21.8	300	\$192.61
6500C-R	5/8" solid shaft, 3/4" NPT ports				\$200.85
6500N	Ni-Resist 6-roller pump w/ Super Rollers, Viton Seals	1200	21.8	300	\$434.66
6500N-R	5/8" solid shaft, 3/4" NPT ports				\$442.90
6500XL	SilverCast 6-roller pump w/ Super Rollers, Viton Seals	1200	21.8	300	\$608.73
6500XL-R	5/8" solid shaft, 3/4" NPT ports				\$616.97
3430-0380	6500C, 6500N & 6500XL Roller Pump Repair Kit- Includes Super Rollers, Body O-Ring and 2 Viton Seals				\$39.94



7560C	Cast Iron 8-roller pump w/ Super Rollers, Viton Seals	1200	22.5	300	\$252.35
7560C-R	15/16" solid shaft, 3/4" NPT ports				\$260.59
7560N	Ni-Resist 8-roller pump w/ Super Rollers, Viton Seals	1200	22.5	300	\$495.43
7560N-R	15/16" solid shaft, 3/4" NPT ports				\$504.70
7560XL	SilverCast 8-roller pump w/ Super Rollers, Viton Seals	1200	22.5	300	\$725.12
7560XL-R	15/16" solid shaft, 3/4" NPT ports				\$733.36
3430-0381	7560C, 7560N & 7560XL Roller Pump Repair Kit- Includes Super Rollers, Body O-Ring and 2 Viton Seals				\$57.78



7700C	Cast Iron 7-roller pump w/ Super Rollers, Viton Seals	800	22.1	200	\$257.50
7700C-R	15/16" solid shaft, 3/4" NPT ports				\$265.74
7700N	Ni-Resist 7-roller pump w/ Super Rollers, Viton Seals	800	22.1	200	\$495.43
7700N-R	15/16" solid shaft, 3/4" NPT ports				\$504.70
7700XL	SilverCast 7-roller pump w/ Super Rollers, Viton Seals	800	22.1	200	\$742.63
7700XL-R	15/16" solid shaft, 3/4" NPT ports				\$750.87
3430-0384	7700C, 7700N, 7700XL Roller Pump Repair Kit- Includes Super Rollers, Body O-Ring and 2 Viton Seals				\$54.38



FOR GAS ENGINE, USE -R FOR REVERSE ROTATION

G & G FLEX COUPLINGS

Purchase each half of set and rubber separator

Part#	Bore I.D.	Price
233-0308	1/2"	\$48.40
233-0310	5/8"	\$48.40
233-0312	3/4"	\$48.40
233-0314	7/8"	\$48.40
233-0315	15/16"	\$48.40
233-0316	1"	\$48.40
233-0318	1 1/8"	\$48.40
234-0300	Rubber Only	\$19.30

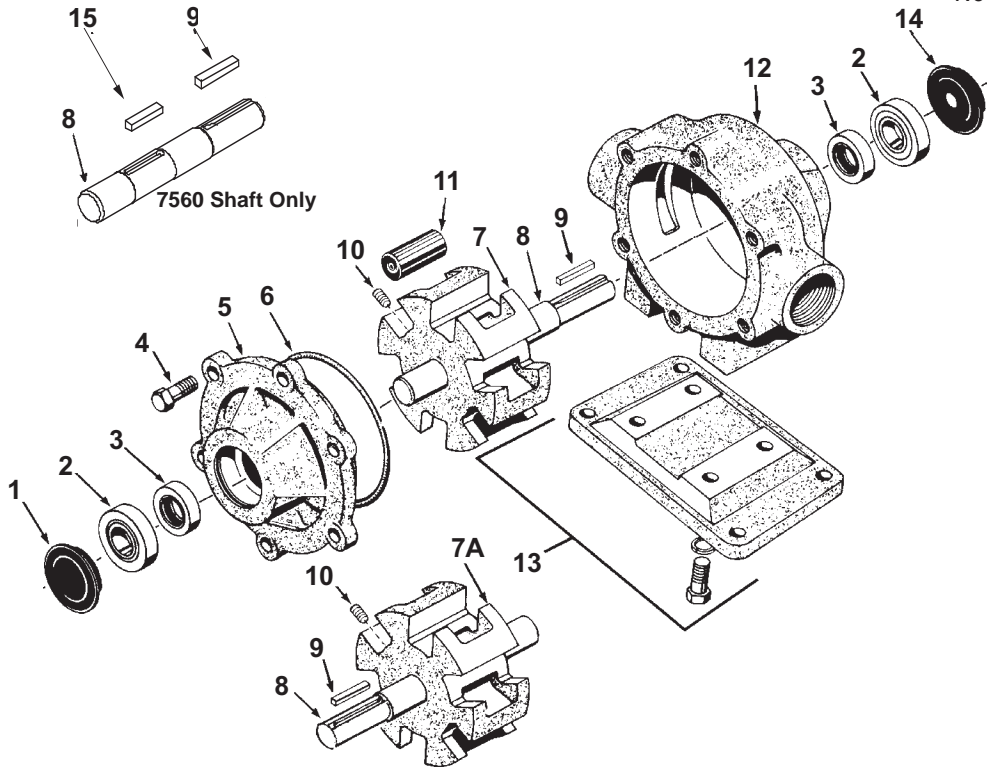


List Price
Please Apply Discount



PUMP REPLACEMENT PARTS

ROLLER PUMPS



List Price
Please Apply Discount

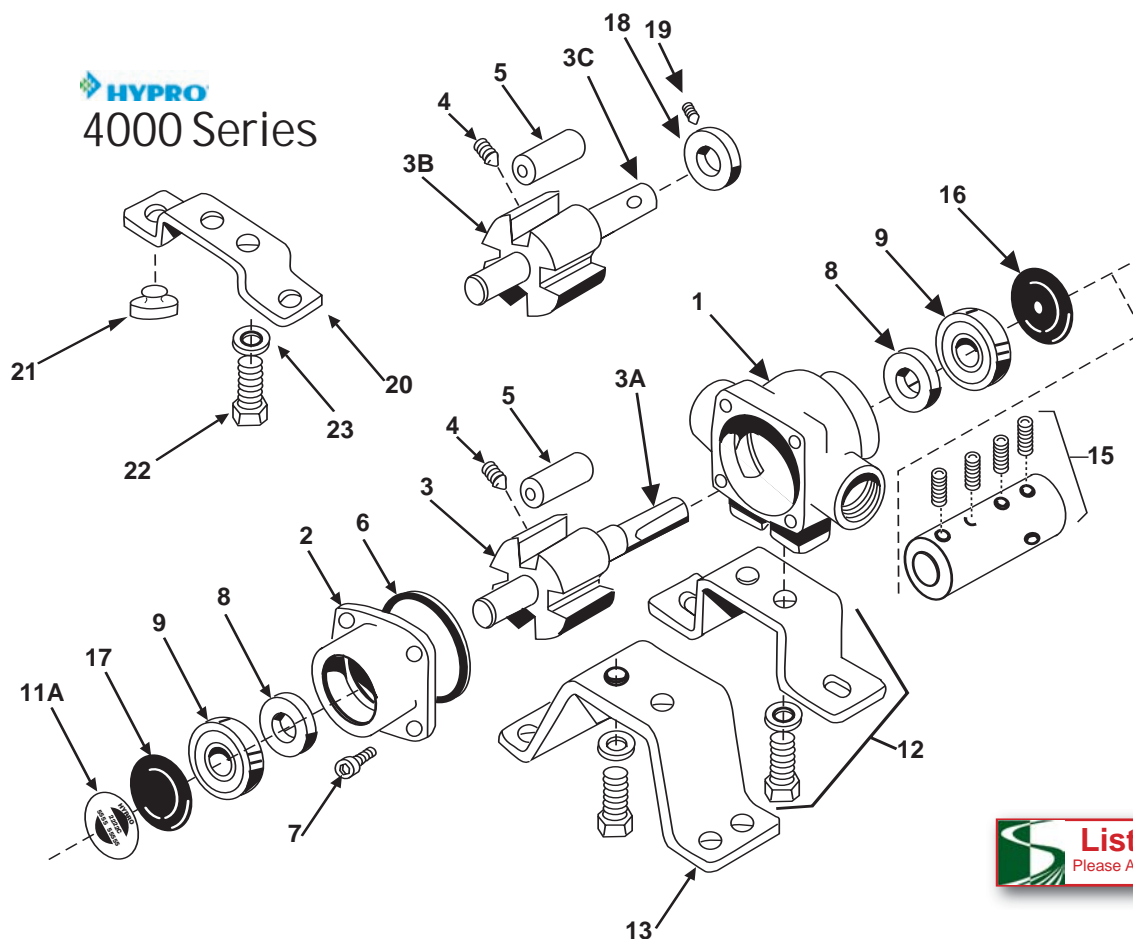
Ref No. Description												
	Qty	Part#	Price	Qty	Part#	Price	Qty	Part#	Price	Qty	Part#	Price
1 Bearing Cover	1	2300-0020	\$1.30	1	2300-0020	\$1.30	1	2300-0021	\$1.30	1	2300-0020	\$1.30
2 Sealed Ball Bearing	2	2008-0001	\$13.88	2	2008-0001	\$13.88	2	2000-0010	\$9.35	2	2008-0001	\$13.88
3 Buna-N Seal	2	2112-0001*	\$14.16	2	2112-0001**	\$14.16	2	2102-0001**	\$23.23	2	2112-0001**	\$14.16
3 Viton Seal	2	2112-0003**	\$15.30	2	2112-0003*	\$15.30	2	2107-0002*	\$9.80	2	2112-0003*	\$15.30
4 Bolt	6	2210-0026	\$0.85	6	2210-0005	\$0.62	4	2210-0004	\$0.79	6	2210-0004	\$0.79
5 Endplate (Cast-Iron) w/ Seal	1	0200-1500C	\$199.41	1	0200-1700C	\$121.23	1	0200-6500C	\$54.10	1	0204-7500C	\$73.08
5 Endplate (Ni-Resist) w/ Seal	1	0200-1500N	\$416.94	1	0200-1700N	\$342.17	1	0200-6500N	\$154.09	1	0204-7500N	\$192.61
5 Endplate (SilverCast) w/ Seal	1	0200-1500X	\$623.15	1	0200-1700X	\$533.64	1	0200-6500X	\$215.27	1	0204-7500X	\$266.26
6 O-Ring Gasket for Endplate	1	1720-0003	\$2.72	1	1720-0099	\$1.87	1	1720-0008	\$1.36	1	1720-0014	\$2.04
7 Rotor(Cast Iron) w/ Shaft (Std. Rotation)	1	0300-1502C	\$265.12	1	0300-1700C	\$179.01	1	0300-6600C	\$105.94	1	0308-7560C	\$124.63
7 Rotor(Ni-Resist) w/ Shaft (Std. Rotation)	1	0300-1502N	\$590.29	1	0300-1700N	\$419.21	1	0300-6600N	N/A	1	3430-0745	\$202.81
7 Rotor(SilverCast) w/ Shaft (Std. Rotation)	1	0300-1502X	\$788.57	1	0300-1700X	\$522.31	1	0300-6600X	N/A	1	3430-0745	\$202.81
7A Rotor(Cast Iron) w/ Shaft (Rev. Rotation)	1	0301-1502C	\$265.12	1	0301-1700C	\$167.68						
7A Rotor(Ni-Resist) w/ Shaft (Rev. Rotation)	1	0301-1502N	\$590.29	1	0301-1700N	\$419.21						
7A Rotor(SilverCast) w/ Shaft (Rev. Rotation)	1	0301-1502X	\$788.57	1	0301-1700X	\$522.31						
8 Shaft Only	1	0500-1502	\$60.05	1	0500-1502	\$60.05				1	1510-7500	\$41.64
9 Key	1	1610-0005	\$1.47	1	1610-0005	\$1.47				1	1610-0005	\$1.47
10 Set Screw	1	2230-0018	\$0.62	1	2230-0018	\$0.62						
10 Set Screw (SilverCast Only)	1	2230-0034	\$5.38	1	2230-0034	\$5.38						
11 Super Roller (Standard)	6	1005-0005	\$7.59	5	1005-0005	\$7.59	6	1005-0004	\$3.34	8	1005-0004	\$3.34
11 Polypropylene Roller	6	1002-0005	\$6.68	5	1002-0005	\$6.68	6	1002-0004	\$2.89	8	1002-0004	\$2.89
11 Teflon Roller	6	1055-0005	\$32.29	5	1055-0005	\$32.29	6	1055-0004	\$16.71	8	1055-0004	\$16.71
12 Body (Cast Iron) w/ Seal	1	0100-1500C	\$439.60	1	0100-1700C	\$236.80	1	0100-6600C	\$91.21	1	0104-7500C	\$118.97
12 Body (Ni-Resist) w/ Seal	1	0100-1500N	\$1,008.37	1	0100-1700N	\$803.30	1	0100-6600N	\$310.44	1	0104-7500N	\$380.69
12 Body (SilverCast) w/ Seal	1	0100-1500X	\$1,390.19	1	0100-1700X	\$1,057.09	1	0100-6600X	\$428.27	1	0104-7500X	\$539.31
13 Base Kit	1	3420-0004	\$82.14	1	3420-0010	\$44.47	1	3420-0023	\$32.29	1	3420-0003	\$51.27
14 Shaft Bearing Cover	1	2300-0022	\$1.30	1	2300-0022	\$1.30	1	2300-0023	\$1.36	1	2300-0022	\$1.30
15 Key (Stainless Steel)										1	1610-0059	\$4.25
REPAIR KIT		3430-0383	\$78.46		3430-0383	\$78.46		3430-0380	\$39.94		3430-0381	\$57.78

PUMP REPLACEMENT PARTS



ROLLER PUMPS
4000 Series

PUMP REPLACEMENT PARTS



List Price
Please Apply Discount

Part#	Description	Price
3430-0390	Repair Parts Kit, Includes O-Ring (Ref#6), (4) Super Rollers (Ref#5), and (2) Viton Seals (Ref#8)	\$32.86
3430-0158	Repair Parts Kit, Includes O-Ring (Ref#6), (4) Polypropylene Rollers (Ref#5) and (2) Viton Seals (Ref#8)	\$31.16

Ref No.	Qty	Part#	Description	Price
1	1	0100-4001C	Body - Cast Iron w/ Std. Seal (4001)	\$81.01
1	1	0100-4101C	Body - Cast Iron w/ Std. Seal (4101)	\$115.57
1	1	0100-4001N	Body - Ni-Resist w/ Std. Seal (4001)	\$254.93
1	1	0100-4101N	Body - Ni-Resist w/ Std. Seal (4101)	\$254.93
1	1	0100-4001X	Body - SilverCast w/ Std. Seal (4001)	\$329.70
1	1	0100-4101X	Body - SilverCast w/ Std. Seal (4101)	\$329.70
2	1	0200-4001C	EndPlate-Cast Iron w/ Std. Seal (4001)	\$43.78
2	1	0200-4101C	EndPlate-Cast Iron w/ Std. Seal (4101)	\$45.89
2	1	0200-4001N	EndPlate-Ni-Resist w/ Std. Seal (4001)	\$88.07
2	1	0200-4101N	EndPlate-Ni-Resist w/ Std. Seal (4101)	\$96.59
2	1	0200-4001X	EndPlate-SilverCast w/ Std. Seal (4001)	\$132.56
2	1	0200-4101X	EndPlate-SilverCast w/ Std. Seal (4101)	\$132.56
3	1	0300-4001C	Rotor & Shaft Assembly-Cast Iron (4001)	\$97.15
3	1	0300-4101C	Rotor & Shaft Assembly-Cast Iron (4101)	\$82.99
3	1	0300-4001N	Rotor & Shaft Assembly-Ni-Resist (4001)	\$132.56
3	1	0300-4101N	Rotor & Shaft Assembly-Ni-Resist (4101)	\$130.30
3	1	0300-4001X	Rotor & Shaft Assembly-SilverCast (4001)	\$173.35
3	1	0300-4101X	Rotor & Shaft Assembly-SilverCast (4101)	\$156.35
3A	1	0500-6600	Shaft Only	\$32.29
3B	1	0301-4001N	Rotor & Shaft Assembly-Ni-Resist (4001)	\$139.36
3B	1	0301-4101N	Rotor & Shaft Assembly-Ni-Resist (4101)	\$173.35
3B	1	0301-4001X	Rotor & Shaft Assembly-SilverCast (4001)	\$176.75
3B	1	0301-4101X	Rotor & Shaft Assembly-SilverCast (4101)	\$220.94
3C	1	0550-4001	Shaft Only - Hollow Shaft	\$56.35
4	1	2230-0002	Rotor Set Screw	\$1.13
4	1	2230-0016	Rotor Set Screw (SilverCast Only)	\$2.78
5	4	1005-0002	Super rollers (Standard)	\$3.46

Ref No.	Qty	Part#	Description	Price
5	4	1002-0002	Polypropylene Rollers (Optional)	\$3.00
5	4	1001-0002	Buna-N Rollers (Optional)	NA
5	4	1055-0002	Teflon Rollers (Optional)	\$14.16
6	1	1720-0104	O-Ring Gasket for Endplate	\$.79
7	4	2220-0018	Endplate Screw	\$.74
8	2	2107-0002	Viton Seal (Standard)	\$9.52
8	2	2102-0001	Buna-N Seal (Optional)	\$22.66
9	2	2000-0010	Ball Bearing (High Temp Grease)	\$9.12
11A	1		Name Plate (Specify Pump Model #)	NA
12	1	3420-0024	Base Kit-Includes: 1 base, 2 bolts, and 2 lock washers for mounting pump to electric motors w/ 3 1/2" shaft centerlines	\$37.11
13	1	3420-0025	Base Kit-Includes: 1 base, 2 bolts, and 2 lock washers for mounting pump to elect. motors/gas engines w/ 4 3/16" shaft centerlines	\$40.50
15	1	1320-0016	Adapter w/ 4 set screws for gas engine mount (5/8" x 5/8")	\$38.24
15	1	1320-0015	Adapter (5/8" x 3/4")	\$39.66
16	1	2300-0023	Shaft Bearing Cover	\$1.30
17	1	2300-0021	Bearing Cover	\$1.25
18	1	1420-0001	Locking Collar	\$5.38
19	1	2230-0001	Set Screw	\$1.70
20	1	1510-0054	Base	\$12.18
21	2	1450-0003	Bumper	\$.85
22	2	2210-0003	Bolt	\$.79
23	2	2260-0002	Lock Washer	\$.79



ROLLER PUMPS

HYPRO PUMPS

Part#	Description	Max. RPM	Max. GPM	Max. PSI	Price
4001C-A	Cast Iron 4-roller pump w/ Super Rollers, Viton Seals 5/8" solid shaft, 3/4" NPT ports	1800	9.1	150	\$190.55
4001C-AH	Cast Iron 4-roller pump w/ Super Rollers, Viton Seals 1/2" hollow shaft, 3/4" NPT ports	1800	9.1	150	\$206.00
4001N-A	Ni-Resist 4-roller pump w/ Super Rollers, Viton Seals 5/8" solid shaft, 3/4" NPT ports	1800	9.1	150	\$327.54
4001N-AH	Ni-Resist 4-roller pump w/ Super Rollers, Viton Seals 1/2" hollow shaft, 3/4" NPT ports	1800	9.1	150	\$344.02
4001N-AEH	Ni-Resist 4-roller pump w/ Super Rollers, Viton Seals, 12 Volt DC motor-driven, 1/2" hollow shaft, 3/4" NPT ports	1900	10.4	30	\$708.64
4001N-AE2H	Ni-Resist 4-roller pump w/ Super Rollers, Viton Seals, 12 Volt DC motor-driven, 1/2" hollow shaft, 3/4" NPT ports	1600	9.9	50	\$786.92
4001XL-A	SilverCast 4-roller pump w/ Super Rollers, Viton Seals, 5/8" solid shaft, 3/4" NPT ports	1800	9.1	150	\$483.07
4001XL-AH	SilverCast 4-roller pump w/ Super Rollers, Viton Seals, 1/2" hollow shaft, 3/4" NPT ports	1800	9.1	150	\$498.52
4001XL-AEH	SilverCast 4-roller pump w/ Super Rollers, Viton Seals, 12 Volt DC motor-driven, 1/2" hollow shaft, 3/4" NPT ports	1900	10.4	30	\$863.14
4001XL-AE2H	SilverCast 4-roller pump w/ Super Rollers, Viton Seals, 12 Volt DC motor-driven, 1/2" hollow shaft, 3/4" NPT ports	1600	9.9	50	\$941.42



4001C-A



4001XL-A

**PARTS BREAKDOWN
ON PAGE 191**

4101C-A	Cast Iron 4-roller pump w/ Super Rollers, Viton Seals, 5/8" solid shaft, 3/4" NPT ports	2600	7.2	150	\$177.16
4101C-AH	Cast Iron 4-roller pump w/ Super Rollers, Viton Seals, 1/2" hollow shaft, 3/4" NPT ports	2600	7.2	150	\$193.64
4101N-A	Ni-Resist 4-roller pump w/ Super Rollers, Viton Seals 5/8" solid shaft, 3/4" NPT ports	2600	7.2	150	\$316.21
4101N-AH	Ni-Resist 4-roller pump w/ Super Rollers, Viton Seals 1/2" hollow shaft, 3/4" NPT ports	2600	7.2	150	\$331.66
4101N-AEH	Ni-Resist 4-roller pump w/ Super Rollers, Viton Seals, 12 Volt DC motor-driven, 1/2" hollow shaft, 3/4" NPT ports	1900	7.5	50	\$697.31
4101N-AE2H	Ni-Resist 4-roller pump w/ Super Rollers, Viton Seals, 12 Volt DC motor-driven, 1/2" hollow shaft, 3/4" NPT ports	1600	5.9	90	\$775.59
4101XL-A	SilverCast 4-roller pump w/ Super Rollers, Viton Seals, 5/8" solid shaft, 3/4" NPT ports	2600	7.2	150	\$470.71
4101XL-AH	SilverCast 4-roller pump w/ Super Rollers, Viton Seals, 1/2" hollow shaft, 3/4" NPT ports	2600	7.2	150	\$487.19
4101XL-AEH	SilverCast 4-roller pump w/ Super Rollers, Viton Seals, 12 Volt DC motor-driven, 1/2" hollow shaft, 3/4" NPT ports	1900	7.5	50	\$851.81
4101XL-AE2H	SilverCast 4-roller pump w/ Super Rollers, Viton Seals, 12 Volt DC motor-driven, 1/2" hollow shaft, 3/4" NPT ports	1600	5.9	90	\$930.09
3430-0390	4001 & 4101 Series Roller Pump Repair Kit				\$33.71



4101C-A



4101N-AE2H

DIE CAST & FORGED STEEL PUMP QUICK COUPLERS

Part#	PTO (I.D.)	Pump Shaft	Material	RPM	Pump Model	Price
1321-0006	1 3/8" (6 spline)	5/8"	Die Cast	540	6500	\$46.45
1321-0007	1 3/8" (6 spline)	15/16"	Die Cast	540	1500, 1700, 7560, 7700	\$50.42
1321-0008	1 3/8" (21 spline)	5/8"	Die Cast	1000	4000, 6500	\$56.65
1321-0009	1 3/8" (21 spline)	15/16"	Die Cast	1000	1500, 1700, 7560	\$55.52
1321-0012	1 3/8" (multi-speed)	5/8"	Die Cast	540/1000	4000, 6500	\$45.60
1321-0013	1 3/8" (multi-speed)	15/16"	Die Cast	540/1000	1500, 1700, 7560, 7700	\$48.44
1323-0072	1 3/8" (6 spline)	15/16"	Forged Steel	540	1500, 1700, 7560, 7700	\$58.92
1323-0073	1 3/8" (21 spline)	15/16"	Forged Steel	1000	1500, 1700, 7560	\$64.01
1323-0074	1 3/8" (6 spline)	5/8"	Forged Steel	540	6500	\$58.35
1323-0075	1 3/8" (21 spline)	5/8"	Forged Steel	1000	4000, 6500	\$58.92
1323-0076	1 3/8" (multi-speed)	15/16"	Forged Steel	540/1000	1500, 1700, 7560, 7700	\$58.92
1323-0077	1 3/8" (multi-speed)	5/8"	Forged Steel	540/1000	4000,6500	\$58.92

