



HYDRAULIC DRIVEN CENTRIFUGAL PUMPS

CAST IRON
1 1/2" SUCTION x 1 1/4" DISCHARGE

Part#	Description	Max. GPM	Max. PSI	Price
9303C-HM1C	13 GPM hydraulic motor / cast iron pump for open/closed center systems	114	130	\$1,014.55
9303C-HM1C-B	13 GPM hydraulic motor / cast iron pump for open/closed center systems, Silicon Carbide Seals	114	130	\$1,116.52
9303C-HM1C-BU	13 GPM hydraulic motor / cast iron pump for open/closed center systems, Silicon Carbide Seals, 220 Series flange inlet, 200 Series flange outlet	114	130	\$1,158.45
9303C-HM2C	6 GPM hydraulic motor / cast iron pump for closed center systems	97	95	\$1,014.55
9303C-HM3C	20 GPM hydraulic motor / cast iron pump for large open center systems	125	98	\$1,078.41
9303C-HM4C	7 GPM hydraulic motor / cast iron pump for open/closed center systems	115	93	\$1,014.55
9303C-HM5C	16 GPM hydraulic motor / cast iron pump for open/closed center systems	147	145	\$1,014.55
3430-0332	Seal and O-Ring Repair Kit			\$50.70
3430-0589	Silicon Carbide Seal and O-Ring Repair Kit			\$198.28



9304C

**PARTS BREAKDOWN
ON PAGE 183**

Available with Silicon Carbide Seals. Add suffix letter "B" to part number (ex: 9303C-HM4C-B)
Available with Universal Flanges (220 series inlet x 200 series outlet). Add suffix letter "U" to part number (ex: 9303C-HM4C-U)
For Silicon Carbide Seal AND Universal Flange add suffix letters "BU" to part number (ex: 9303C-HM4C-BU)

List Price
Please Apply Discount

2" SUCTION x 1 1/2" DISCHARGE

Part#	Description	Max. GPM	Max. PSI	Price
9304C-HM1C	13 GPM hydraulic motor / cast iron pump for open/closed center systems	210	115	\$1,277.20
9304C-HM3C	20 GPM hydraulic motor / cast iron pump for large open center systems	190	80	\$1,346.21
9304C-HM5C	17 GPM hydraulic motor / cast iron pump for open/closed center systems	210	140	\$1,277.20
9305C-HM3C	19 GPM hydraulic motor / cast iron pump for large open center systems	182	160	\$1,719.07
9306C-HM1C	13 GPM hydraulic motor / cast iron pump for open/closed center systems	207	130	\$1,187.59
9306C-HM1C-BU	13 GPM hydraulic motor / cast iron pump for open/closed center systems, Silicon Carbide Seals, 220 Series flange inlet, 200 Series flange outlet	207	130	\$1,332.82
9306C-HM3C	24 GPM hydraulic motor / cast iron pump for open/closed center systems	214	135	\$1,252.48
9306C-HM5C	17 GPM hydraulic motor / cast iron pump for large open center systems	212	140	\$1,187.59
3430-0456	Vent line kit with 25' long, 1/4" ID vinyl hose, 1/8" NPT x 1/4" hose barb elbow, 1/8" NPT x 1/4" barb, plastic hose clamp and cable tie			\$39.66
3430-0332	Seal and O-Ring Kit			\$50.70
3430-0589	Silicon Carbide Seal and O-Ring Repair Kit			\$198.28
3430-0500	Seal and O-Ring Repair Kit for 9305C-HM3C ONLY			\$51.83
3430-0601	Silicon Carbide Seal and O-Ring Kit for 9305C-HM3C ONLY			\$199.41



9304C



9305C



9306C

**PARTS BREAKDOWN
9304C PAGE 184
9306C PAGE 185**

Available with Silicon Carbide Seals. Add suffix letter "B" to part number (ex: 9304C-HM4C-B)
Available with Universal Flanges (220 series inlet x 200 series outlet). Add suffix letter "U" to part number (ex: 9304C-HM4C-U)
For Silicon Carbide Seal AND Universal Flange add suffix letters "BU" to part number (ex: 9306C-HM4C-BU)

9303C-HM1C-BU

Used on Sprayer Specialties NF and VLU Series Sprayers

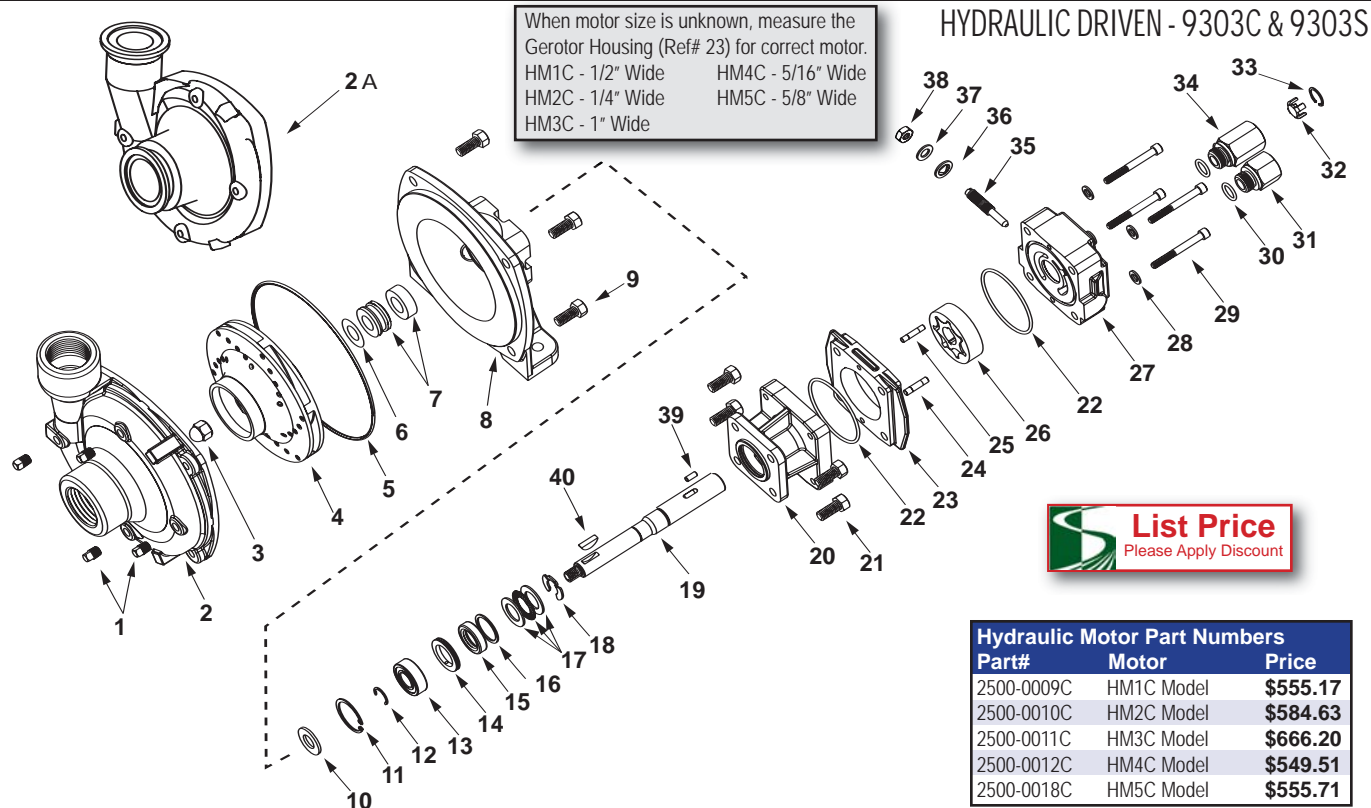
9306C-HM1C-BU

Used on Sprayer Specialties XLRD Series Sprayers


NF Series
VLU Series
XLRD Series

PUMP REPLACEMENT PARTS

PUMP REPLACEMENT PARTS



List Price
Please Apply Discount

Hydraulic Motor Part Numbers		
Part#	Motor	Price
2500-0009C	HM1C Model	\$555.17
2500-0010C	HM2C Model	\$584.63
2500-0011C	HM3C Model	\$666.20
2500-0012C	HM4C Model	\$549.51
2500-0018C	HM5C Model	\$555.71

Part#	Description	Price
3430-0332	Repair Parts Kit, Includes O-Ring (Ref#5), Rubber Gasket (Ref#6), and Mechanical Seal (Ref#7)	\$50.70
3430-0589	Silicon Carbide Seal Kit, Includes O-ring (Ref#5), and Silicon Carbide Mechanical Seal (Ref#7)	\$198.28
3430-0178	Parts Kit, Includes Ball Bearing (Ref#13), Motor Shaft Seal (Ref#15), Thread Seal Gasket (Ref#36), and washer (Ref#37); (2) Motor Housing O-Rings (Ref#22), and (2) Port Adapter O-Rings (Ref#30)	\$61.18

Ref No.	Qty	Part#	Description	Price
1	4	2406-0007	Drain / Vent Plug (9303C)	\$.85
1	4	2406-0016	Drain / Vent Plug (9304C)	\$7.53
2	1	0150-9000C	Pump Casing (Model 9303C)	\$205.07
2	1	0150-9000S	Pump Casing (Model 9303S)	\$567.63
2A	1	0153-9000C	Pump Casing (Universal Flange)	\$214.14
3	1	2253-0002	Impeller Nut (9303C)	\$4.99
3	1	2253-0006	Impeller Nut (9303S)	\$25.21
4	1	0401-9100P	Impeller (Nyglass, standard)(9303C)	\$43.05
4	1	0402-9100P	Impeller (Polypropylene)(9303S)	\$47.59
5	1	1720-0083	O-Ring	\$3.00
6	1	1700-0100	Rubber Gasket (9303C)	\$4.25
7	1	2120-0009	Mechanical Seal - Viton(9303C)	\$44.75
7	1	3430-0589	Mechanical Seal - Silicon Carbide(9303S)	\$198.28
8	1	0750-9300C	Mounting Flange	\$117.83
8	1	0756-9300S	Mounting Flange (9303S)	\$711.52
9	4	2210-0020	Hex Head Cap Screw (9303C)	\$.79
9	4	2210-0125	Hex Head Cap Screw (9303S)	\$1.53
10	1	1410-0056	Slinger Ring	\$1.08
11	1	1820-0013	Retaining Ring	\$1.02
12	1	1810-0014	Snap Ring	\$.91
13	1	2000-0010	Ball Bearing	\$9.35
14	1	1410-0073	Spacer	\$6.29
15	1	2104-0005	Shaft Seal	\$44.47
16	1	1410-0074	Seal Spacer	\$1.08
17	1	2029-0014	Thrust Bearing Assembly - Consists of: (1)Thrust Bearing & (2) Thrust Bearing Races	\$25.49
18	1	1810-0026	Snap Ring	\$.91
19	1	0509-2500	Shaft (HM2C & HM4C) 6 3/4" Long	\$192.61
19	1	0511-2501	Shaft (HM1C & HM5C) 7" Long	\$202.81
19	1	0510-2500	Shaft (HM3C) 7 1/2" Long	\$304.78
20	1	0150-2500C	Motor Body (Includes Main Bearing)	\$128.03
21	4	2210-0005	Hex Head Cap Screw	\$.62
22	2	1720-0110	O-Ring	\$1.02
23	1	0701-2500C1	Gerotor Housing (HM2C) 1/4" Wide	\$155.22

Ref No.	Qty	Part#	Description	Price
23	1	0700-2500C1	Gerotor Housing (HM1C) 1/2" Wide	\$103.67
23	1	0703-2500C1	Gerotor Housing (HM4C) 5/16" Wide	\$99.70
23	1	0702-2500C1	Gerotor Housing (HM3C) 1" Wide	\$163.15
23	1	0704-2500C1	Gerotor Housing (HM5C) 5/8" Wide	\$129.16
24	1	1600-0045	Dowel Pin (HM2C & HM4C)	\$12.46
24	1	1600-0044	Dowel Pin (HM1C & HM5C)	\$15.86
24	1	1600-0052	Dowel Pin (HM3C)	\$22.66
25	1	1600-0042	Dowel Pin (HM2C & HM4C)	\$12.46
25	1	1600-0037	Dowel Pin (HM1C & HM5C)	\$15.86
25	1	1600-0068	Dowel Pin (HM3C)	\$10.14
26	1	3900-0022	Gerotor (HM1C)	\$164.29
26	1	3900-0023	Gerotor (HM2C)	\$150.69
26	1	3900-0024	Gerotor (HM3C)	\$210.74
26	1	3900-0025	Gerotor (HM4C)	\$162.02
26	1	3900-0048	Gerotor (HM5C)	\$167.68
27	1	0254-2500C2	Motor End Plate (Includes Main Bearing)	\$123.50
28	4	2270-0039	Washer	\$.85
29	4	2220-0045	Cap Screw (HM2C & HM4C)	\$1.25
29	4	2220-0021	Cap Screw (HM1C)	\$1.47
29	4	2220-0044	Cap Screw (HM3C)	\$2.78
29	4	2220-0032	Cap Screw (HM5C)	\$3.74
30	2	1720-0108	O-Ring	\$.91
31	1	3360-0021	Pressure Port Adapter	\$11.16
32	1	3260-0068	Poppet	\$4.25
33	1	1820-0038	Retaining Ring	N/A
34	1	3320-0049A	Tank Port Adapter	\$37.11
35	1	3220-0029	Bypass Adjusting Screw	\$7.70
36	1	1700-0047	Gasket	\$3.63
37	1	2270-0027	Washer	\$1.53
38	1	2250-0038	Lock Nut	\$.85
39	1	1610-0032	Roll Pin (HM2C & HM4C)	\$6.91
39	1	1610-0031	Roll Pin (HM1C & HM5C)	\$3.91
39	1	1610-0055	Roll Pin (HM3C)	\$23.51
40	1	1610-0012	Woodruff Key (9303C)	\$1.08

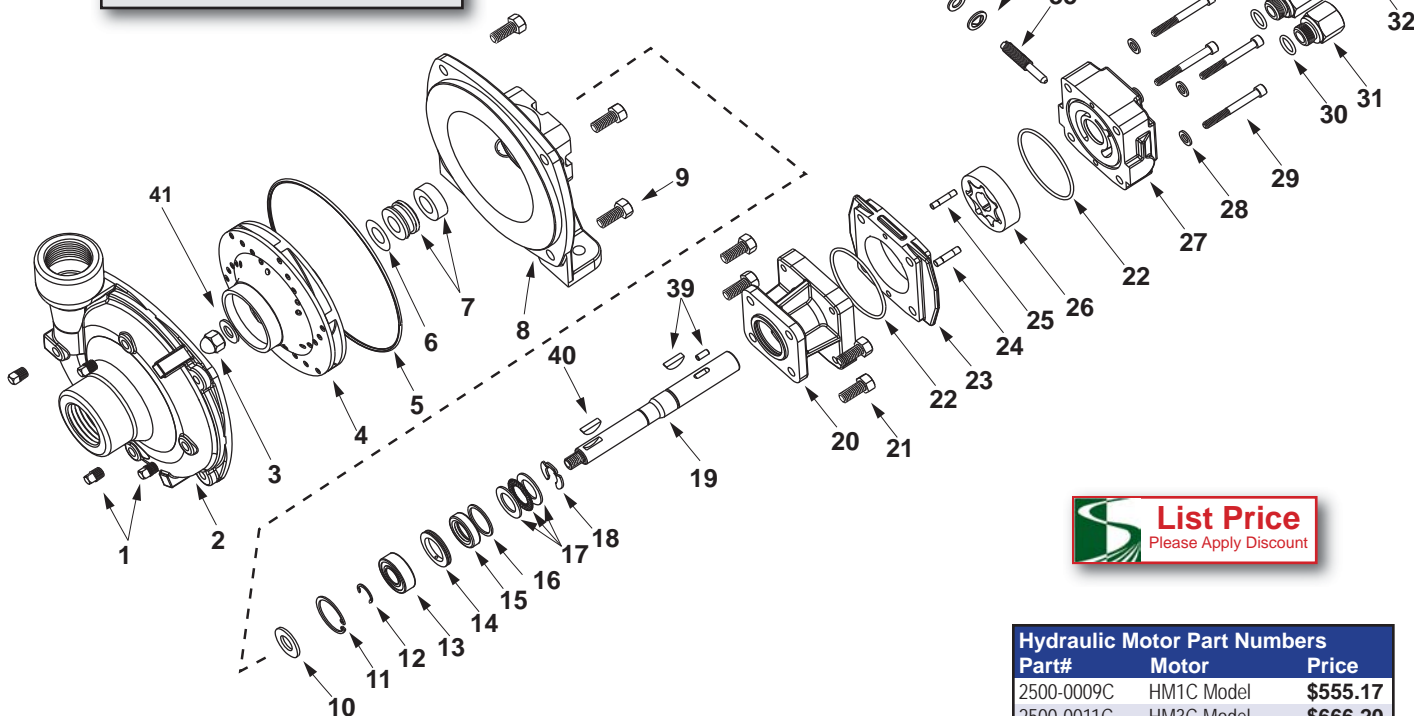
PUMP REPLACEMENT PARTS



HYDRAULIC DRIVEN - 9304C

When motor size is unknown, measure the Gerotor Housing (Ref# 23) for correct motor.

- HM1C - 1/2" Wide
- HM3C - 1" Wide
- HM5C - 5/8" Wide



List Price
Please Apply Discount

Hydraulic Motor Part Numbers		
Part#	Motor	Price
2500-0009C	HM1C Model	\$555.17
2500-0011C	HM3C Model	\$666.20
2500-0018C	HM5C Model	\$555.17

Part#	Description	Price
3430-0332	Repair Parts Kit, Includes O-Ring (Ref#5), Rubber Gasket (Ref#6), and Mechanical Seal (Ref#7)	\$50.70
3430-0589	Silicon Carbide Seal Kit, Includes O-ring (Ref#5), and Silicon Carbide Mechanical Seal (Ref#7)	\$198.28
3430-0748	Parts Kit, Includes Ball Bearing (Ref#13), Motor Shaft Seal (Ref#15), Thread Seal Gasket (Ref#36), and washer (Ref#37); (2) Motor Housing O-Rings (Ref#22), and (2) Port Adapter O-Rings (Ref#30)	\$100.84

Ref No.	Qty	Part#	Description	Price
1	4	2406-0007	Drain / Vent Plug	\$.85
2	1	0154-9200C1	Pump Casing (2 x 1-1/2)	\$305.91
3	1	2253-0002	Impeller Nut	\$4.99
4	1	0401-9200P2	Impeller (Nyglass, Standard)	\$91.49
4	1	0405-9200P	Impeller (Polypropylene, Optional)	\$118.97
5	1	1720-0083	O-Ring	\$3.00
6	1	1700-0100	Rubber Gasket	\$4.25
7	1	2120-0009	Mechanical Seal (Viton, Standard)	\$44.75
7	1	3430-0589	Mechanical Seal (Silicone Carbide, Opt.)	\$198.28
8	1	0750-9300C	Mounting Flange	\$117.83
9	4	2210-0020	Hex Head Cap Screw	\$.79
10	1	1410-0056	Slinger Ring	\$1.08
11	1	1820-0013	Retaining Ring	\$1.02
12	1	1810-0014	Snap Ring	\$.91
13	1	2000-0010	Ball Bearing	\$9.35
14	1	1410-0073	Spacer	\$6.29
15	1	2104-0010	Shaft Seal	\$57.78
16	1	1410-0074	Seal Spacer	\$1.08
17	1	2029-0014	Thrust Bearing Assembly-Consists of: (1) Thrust Bearing & (2) Thrust Brg. Races	\$25.49
18	1	1810-0026	Snap Ring	\$.91
19	1	0511-2501	Shaft (HM1C & HM5C Models) 7" Long	\$202.81
19	1	0510-2500	Shaft (HM3C Models) 7-1/2" Long	\$304.78
20	1	0150-2500C	Motor Body (Includes Main Bearing)	\$128.03
21	4	2210-0005	Hex Head Cap Screw	\$.62
22	2	1720-0110	O-Ring	\$1.02
23	1	0700-2500C	Gerotor Housing (HM1C) 1/2" Wide	\$103.67

Ref No.	Qty	Part#	Description	Price
23	1	0702-2500C1	Gerotor Housing (HM3C) 1" Wide	\$163.15
23	1	0704-2500C1	Gerotor Housing (HM5C) 5/8" Wide	\$129.16
24	1	1600-0044	Dowel Pin (HM1C & HM5C Models)	\$15.86
24	1	1600-0052	Dowel Pin (HM3C Models)	\$22.66
25	1	1600-0037	Dowel Pin (HM1C & HM5C Models)	\$15.86
25	1	1600-0068	Dowel Pin (HM3C Models)	\$10.14
26	1	3900-0022	Gerotor (HM1C Models)	\$164.29
26	1	3900-0024	Gerotor (HM3C Models)	\$210.74
26	1	3900-0048	Gerotor (HM5C Models)	\$167.68
27	1	0254-2500C2	Motor End Plate (Includes Main Bearing)	\$123.50
28	4	2270-0039	Washer	\$.85
29	4	2220-0021	Cap Screw (HM1C Model)	\$1.47
29	4	2220-0032	Cap Screw (HM3C Model)	\$3.74
29	4	2220-0044	Cap Screw (HM5C Model)	\$2.78
30	2	1720-0108	O-Ring	\$.91
31	1	3360-0021	Pressure Port Adapter	\$11.16
32	1	3260-0039	Poppet	\$4.25
33	1	1820-0023	Retaining Ring	\$.91
34	1	3320-0051A	Tank Port Adapter	\$37.11
35	1	3220-0029	Bypass Adjusting Screw	\$7.70
36	1	1700-0047	Gasket	\$3.63
37	1	2270-0027	Washer	\$1.53
38	1	2250-0038	Lock Nut	\$.85
39	1	1610-0031	Roll Pin (HM1C & HM5C Models)	\$3.91
39	1	1610-0030	Woodruff Key (HM3C Models)	\$7.59
40	1	1610-0012	Woodruff Key	\$1.08
41	1	2270-0071	Washer	\$1.02

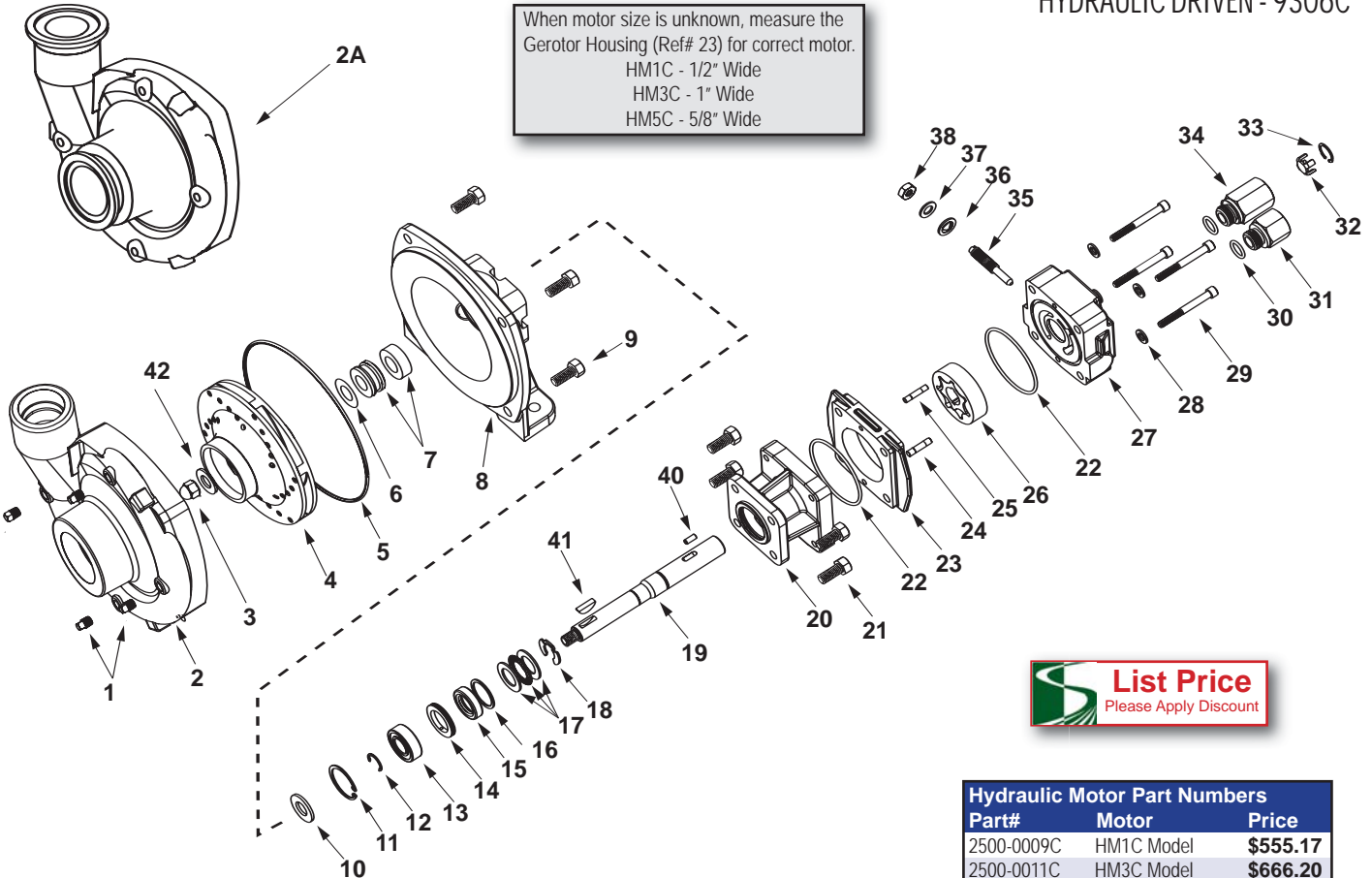
PUMP REPLACEMENT PARTS

PUMP REPLACEMENT PARTS



HYDRAULIC DRIVEN - 9306C

When motor size is unknown, measure the Gerotor Housing (Ref# 23) for correct motor.
 HM1C - 1/2" Wide
 HM3C - 1" Wide
 HM5C - 5/8" Wide



List Price
Please Apply Discount

Hydraulic Motor Part Numbers		
Part#	Motor	Price
2500-0009C	HM1C Model	\$555.17
2500-0011C	HM3C Model	\$666.20
2500-0018C	HM5C Model	\$555.17

Part#	Description	Price
3430-0332	Repair Parts Kit, Includes O-Ring (Ref#5), Rubber Gasket (Ref#6), and Mechanical Seal (Ref#7)	\$50.70
3430-0589	Silicon Carbide Seal Kit, Includes O-ring (Ref#5), and Silicon Carbide Mechanical Seal (Ref#7)	\$198.28
3430-0178	Parts Kit, Includes Ball Bearing (Ref#13), Motor Shaft Seal (Ref#15), Thread Seal Gasket (Ref#36), and washer (Ref#37); (2) Motor Housing O-Rings (Ref#22), and (2) Port Adapter O-Rings (Ref#30)	\$61.18

Ref No.	Qty	Part#	Description	Price
1	4	2406-0007	Drain / Vent Plug	\$.85
2	1	0154-9200C1	Pump Casing (Volute)(Includes a Stainless Steel Wear Ring)	\$305.91
2A	1	0157-9200C	Pump Casing (Universal Flange)	\$181.28
3	1	2253-0002	Impeller Nut	\$4.99
4	1	0401-9200P2	Impeller	\$91.49
5	1	1720-0083	O-Ring	\$3.00
6	1	1700-0100	Rubber Gasket	\$4.25
7	1	2120-0009	Mechanical Seal (Viton)	\$44.75
7	1	3430-0589	Mechanical Seal (Silicon Carbide)	\$198.28
8	1	0750-9300C	Mounting Flange	\$117.83
9	4	2210-0020	Hex Head Cap Screw	\$.79
10	1	1410-0056	Slinger Ring	\$1.08
11	1	1820-0013	Retaining Ring	\$1.02
12	1	1810-0014	Snap Ring	\$.91
13	1	2000-0010	Ball Bearing	\$9.35
14	1	1410-0073	Spacer	\$6.29
15	1	2104-0005	Shaft Seal	\$44.47
16	1	1410-0074	Seal Spacer	\$1.08
17	1	2029-0014	Thrust Bearing Assembly - Consist of: (1) Thrust Bearing & (2) Thrust Bearing Races	\$25.49
18	1	1810-0026	Snap Ring	\$.91
19	1	0510-2500	Shaft (HM3C) 7 1/2" Long	\$304.78
19	1	0511-2501	Shaft (HM1C & HM5C) 7" Long	\$202.81
20	1	0150-2500C	Motor Body (Includes Main Bearing)	\$128.03
21	4	2210-0005	Hex Head Cap Screw	\$.62
22	2	1720-0110	O-Ring	\$1.02
23	1	0700-2500C1	Gerotor Housing (HM1C) 1/2" Wide	\$103.67

Ref No.	Qty	Part#	Description	Price
23	1	0702-2500C1	Gerotor Housing (HM3C) 1" Wide	\$163.15
23	1	0704-2500C1	Gerotor Housing (HM5C) 5/8" Wide	\$129.16
24	1	1600-0052	Dowel Pin (HM3C)	\$22.66
24	1	1600-0044	Dowel Pin (HM1C & HM5C)	\$15.86
25	1	1600-0068	Dowel Pin (HM3C)	\$10.14
25	1	1600-0037	Dowel Pin (HM1C & HM5C)	\$15.86
26	1	3900-0022	Gerotor (HM1C)	\$164.29
26	1	3900-0024	Gerotor (HM3C)	\$210.74
26	1	3900-0048	Gerotor (HM5C)	\$167.68
27	1	0254-2500C2	Motor End Plate (Includes Main Bearing)	\$123.50
28	4	2270-0039	Washer	\$.85
29	4	2220-0044	Cap Screw (HM3C)	\$2.78
29	4	2220-0021	Cap Screw (HM1C)	\$1.47
29	4	2220-0032	Cap Screw (HM5C)	\$3.74
30	2	1720-0108	O-Ring	\$.91
31	1	3360-0021	Pressure Port Adapter	\$11.16
32	1	3260-0068	Poppet	\$4.25
33	1	1820-0038	Retaining Ring	N/A
34	1	3320-0049A	Tank Port Adapter	\$37.11
35	1	3220-0029	Bypass Adjusting Screw	\$7.70
36	1	1700-0047	Gasket	\$3.63
37	1	2270-0027	Washer	\$1.53
38	1	2250-0038	Lock Nut	\$.85
40	1	1610-0055	Roll Pin (HM3C)	\$23.51
40	1	1610-0031	Roll Pin (HM1C & HM5C)	\$3.91
41	1	1610-0012	Woodruff Key	\$1.08
42	1	2270-0071	Washer	\$1.02



HYDRAULIC DRIVEN CENTRIFUGAL PUMPS

STAINLESS STEEL & SELF PRIMING

HYPRO PUMPS

STAINLESS STEEL		Max. GPM	Max. PSI	Price
Part#	Description			
9302ST-GM1	2-3 GPM hydraulic gear motor / 316 stainless steel pump w/ silicon carbide seals. 1 1/4" NPT inlet / 1" NPT outlet	63	105	\$1,761.30
9302S-HM1C	13 GPM hydraulic motor / 316 stainless steel pump for open/closed center systems w/ Viton/Ceramic seals, 1 1/4" NPT inlet / 1" NPT outlet	72	150	\$1,761.30
9302S-HM2C	6 GPM hydraulic motor / 316 stainless steel pump for open/closed center systems w/ Viton/Ceramic seals, 1 1/4" NPT inlet / 1" NPT outlet	65	96	\$1,761.30
9302S-HM4C	20 GPM hydraulic motor / 316 stainless steel pump for open/closed center systems w/ Viton/Ceramic seals, 1 1/4" NPT inlet / 1" NPT outlet	72	120	\$1,761.30
9303S-HM1C	13 GPM hydraulic motor / 316 stainless steel pump for open/closed center systems w/ Silicon Carbide seals, 1 1/2" NPT inlet / 1 1/4" NPT outlet	114	130	\$1,807.65
9303S-HM2C	6 GPM hydraulic motor / 316 stainless steel pump for open/closed center systems w/ Silicon Carbide seals, 1 1/2" NPT inlet / 1 1/4" NPT outlet	97	95	\$1,807.65
9303S-HM3C	20 GPM hydraulic motor / 316 stainless steel pump for open/closed center systems w/ Silicon Carbide seals, 1 1/2" NPT inlet / 1 1/4" NPT outlet	125	98	\$1,873.57
9303S-HM4C	7 GPM hydraulic motor / 316 stainless steel pump for open/closed center systems w/ Silicon Carbide seals, 1 1/2" NPT inlet / 1 1/4" NPT outlet	115	93	\$1,807.65
9303S-HM5C	16 GPM hydraulic motor / 316 stainless steel pump for open/closed center systems w/ Silicon Carbide seals, 1 1/2" NPT inlet / 1 1/4" NPT outlet	147	145	\$1,807.65
9306S-HM1C	13 GPM hydraulic motor / 316 stainless steel pump for open/closed center systems w/ Silicon Carbide seals, 2" NPT inlet / 1 1/2" NPT outlet	207	130	\$2,138.28
9306S-HM3C	24 GPM hydraulic motor / 316 stainless steel pump for open/closed center systems w/ Silicon Carbide seals, 2" NPT inlet / 1 1/2" NPT outlet	214	135	\$2,204.20
9306S-HM5C	17 GPM hydraulic motor / 316 stainless steel pump for open/closed center systems w/ Silicon Carbide seals, 2" NPT inlet / 1 1/2" NPT outlet	212	140	\$2,138.28
3430-0332	Seal and O-Ring Repair Kit			\$50.70
3430-0589	Silicon Carbide Seal and O-Ring Repair Kit			\$198.28



9303S



9306S

PARTS BREAKDOWN ON PAGE 183

SELF-PRIMING		Max. GPM	Max. PSI	Price
Part#	Description			
9303C-HM1C-SP	13 GPM hydraulic motor / cast iron pump for open/closed center systems, 1 1/2" NPT inlet / 1 1/4" outlet	122	130	\$1,383.29
9303C-HM2C-SP	6 GPM hydraulic motor / cast iron pump for closed center systems, 1 1/2" inlet / 1 1/4" outlet	104	90	\$1,383.29
9303C-HM3C-SP	20 GPM hydraulic motor / cast iron pump for large open center systems, 1 1/2" inlet / 1 1/4" outlet	120	95	\$1,447.15
9303C-HM4C-SP	7 GPM hydraulic motor / cast iron pump for open/closed center systems, 1 1/2" inlet / 1 1/4" outlet	99	97	\$1,383.29
9303C-HM5C-SP	16 GPM hydraulic motor / cast iron pump for open/closed center systems, 1 1/2" inlet / 1 1/4" outlet	140	140	\$1,383.29
9305C-HM3C-SP	19 GPM hydraulic motor / cast iron pump for open/closed center systems, 2" inlet, 2" outlet	178	154	\$2,351.49
9303S-HM1C-SP	13 GPM hydraulic motor / stainless steel pump for open/closed center system, 1 1/2" Inlet, 1 1/4" outlet	114	130	\$2,676.97
9303S-HM2C-SP	6 GPM hydraulic motor / stainless steel pump for open/closed center system, 1 1/2" inlet, 1 1/4" outlet	97	95	\$2,676.97
9303S-HM3C-SP	20 GPM hydraulic motor / stainless steel pump for open/closed center system, 1 1/2" inlet, 1 1/4" outlet	125	98	\$2,742.89
9303S-HM4C-SP	7 GPM hydraulic motor / stainless steel pump for open/closed center system, 1 1/2" inlet, 1 1/4" outlet	115	93	\$2,676.97
9303S-HM5C-SP	16 GPM hydraulic motor / stainless steel pump for open/closed center system, 1 1/2" inlet, 1 1/4" outlet	147	145	\$2,676.97
3430-0589	Silicon Carbide Seal and O-Ring Kit			\$198.28
3430-0480SP	Self-Priming chamber kit for Model 9300			\$305.91
3430-0481SP	Self-Priming chamber kit for Model 9305			\$1,578.27
3430-0601	Silicon Carbide Seal Kit for 9305C-HM3C-SP			\$199.41



9305C-SP

List Price
Please Apply Discount

* Viton / Ceramic shaft seals standard with Cast Iron Self-Priming Pumps
**Silicon Carbide shaft seals standard with Stainless Steel Self-Priming Pumps